



---

# 36" (91.4 CM) AND 48" (121.9 CM) DESIGNER COMMERCIAL-STYLE WALL-MOUNT CANOPY RANGE HOOD

## Installation Instructions and Use & Care Guide

For questions about features, operation/performance, parts, accessories or service, call: **1-800-422-1230**  
or visit our website at [www.kitchenaid.com](http://www.kitchenaid.com)

In Canada, for assistance, installation and service, call: **1-800-807-6777**  
or visit our website at [www.kitchenaid.ca](http://www.kitchenaid.ca)

---

# HOTTE DE CUISINIÈRE STYLISÉE DE TYPE COMMERCIAL, À MONTAGE MURAL - 36" (91,4 CM) ET 48" (121,9 CM)

## Instructions d'installation et Guide d'utilisation et d'entretien

Au Canada, pour assistance, installation ou service composez le **1-800-807-6777**  
ou visitez notre site web à [www.kitchenaid.ca](http://www.kitchenaid.ca)

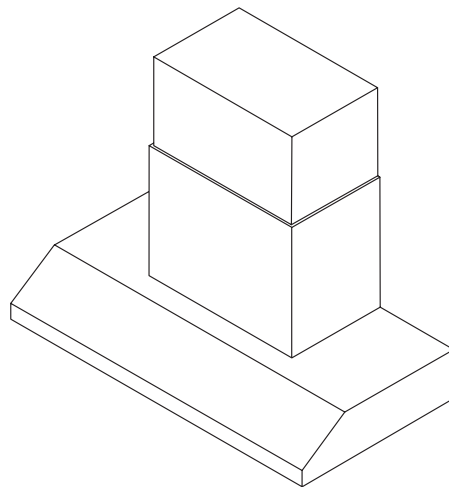
---

Para obtener acceso al manual de uso y cuidado en español, o para obtener información adicional acerca de su producto, visite:  
[www.kitchenaid.com](http://www.kitchenaid.com).

Tenga listo su número de modelo completo. Puede encontrar el número de modelo y de serie dentro de la cavidad superior de la puerta.

---

Table of Contents/Table des matières..... 2



**IMPORTANT: READ AND SAVE THESE INSTRUCTIONS.  
FOR RESIDENTIAL USE ONLY.**

**IMPORTANT : LIRE ET CONSERVER CES INSTRUCTIONS.  
POUR UTILISATION RÉSIDENIELLE UNIQUEMENT.**

# TABLE OF CONTENTS

<b>RANGE HOOD SAFETY</b> .....	<b>2</b>
<b>INSTALLATION REQUIREMENTS</b> .....	<b>3</b>
Tools and Parts .....	3
Location Requirements .....	4
Venting Requirements .....	5
Electrical Requirements .....	6
<b>INSTALLATION INSTRUCTIONS</b> .....	<b>6</b>
Prepare Location .....	6
Install Range Hood .....	8
Make Electrical Connection .....	8
Install Chimney Covers .....	9
Install Grease Filters .....	9
Check Operation .....	9
<b>RANGE HOOD USE</b> .....	<b>10</b>
Range Hood Controls .....	10
<b>RANGE HOOD CARE</b> .....	<b>11</b>
Range Hood Lamps .....	11
Cleaning.....	11
<b>WIRING DIAGRAM</b> .....	<b>12</b>
<b>ASSISTANCE OR SERVICE</b> .....	<b>13</b>
In the U.S.A. ....	13
In Canada .....	13
Accessories .....	13
<b>WARRANTY</b> .....	<b>14</b>

# TABLE DES MATIÈRES

<b>SÉCURITÉ DE LA HOTTE DE CUISINIÈRE</b> .....	<b>15</b>
<b>EXIGENCES D'INSTALLATION</b> .....	<b>17</b>
Outillage et pièces .....	17
Exigences d'emplacement .....	17
Exigences concernant l'évacuation .....	18
Spécifications électriques .....	19
<b>INSTRUCTIONS D'INSTALLATION</b> .....	<b>20</b>
Préparation de l'emplacement .....	20
Installation de la hotte .....	21
Raccordement électrique.....	22
Installation du cache-cheminée .....	22
Installation des filtres à graisse .....	23
Contrôle du fonctionnement .....	23
<b>UTILISATION DE LA HOTTE DE CUISINIÈRE</b> .....	<b>23</b>
Commandes de la hotte de cuisinière .....	23
<b>ENTRETIEN DE LA HOTTE DE CUISINIÈRE</b> .....	<b>24</b>
Lampes de la hotte de cuisinière .....	24
Nettoyage .....	25
<b>SCHÉMA DE CÂBLAGE</b> .....	<b>26</b>
<b>ASSISTANCE OU SERVICE</b> .....	<b>27</b>
Accessoires .....	27
<b>GARANTIE</b> .....	<b>28</b>

## RANGE HOOD SAFETY

### Your safety and the safety of others are very important.

We have provided many important safety messages in this manual and on your appliance. Always read and obey all safety messages.



This is the safety alert symbol.

This symbol alerts you to potential hazards that can kill or hurt you and others.

All safety messages will follow the safety alert symbol and either the word "DANGER" or "WARNING."

These words mean:

**⚠ DANGER**

**You can be killed or seriously injured if you don't immediately follow instructions.**

**⚠ WARNING**

**You can be killed or seriously injured if you don't follow instructions.**

All safety messages will tell you what the potential hazard is, tell you how to reduce the chance of injury, and tell you what can happen if the instructions are not followed.

# IMPORTANT SAFETY INSTRUCTIONS

**WARNING:** TO REDUCE THE RISK OF FIRE, ELECTRIC SHOCK, OR INJURY TO PERSONS, OBSERVE THE FOLLOWING:

- Use this unit only in the manner intended by the manufacturer. If you have questions, contact the manufacturer.
- Before servicing or cleaning the unit, switch power off at service panel and lock the service disconnecting means to prevent power from being switched on accidentally. When the service disconnecting means cannot be locked, securely fasten a prominent warning device, such as a tag, to the service panel.
- Installation work and electrical wiring must be done by qualified person(s) in accordance with all applicable codes and standards, including fire-rated construction.
- Sufficient air is needed for proper combustion and exhausting of gases through the flue (chimney) of fuel burning equipment to prevent backdrafting. Follow the heating equipment manufacturer's guideline and safety standards such as those published by the National Fire Protection Association (NFPA), the American Society for Heating, Refrigeration and Air Conditioning Engineers (ASHRAE), and the local code authorities.
- When cutting or drilling into wall or ceiling; do not damage electrical wiring and other utilities.
- Ducted fans must always be vented outdoors.

**CAUTION:** For general ventilating use only. Do not use to exhaust hazardous or explosive materials and vapors.

**CAUTION:** To reduce risk of fire and to properly exhaust air, be sure to duct air outside - do not vent exhaust air into spaces within walls or ceilings, attics or into crawl spaces, or garages.

**WARNING:** TO REDUCE THE RISK OF FIRE, USE ONLY METAL DUCTWORK.

**WARNING:** TO REDUCE THE RISK OF A RANGE TOP GREASE FIRE:

- Never leave surface units unattended at high settings. Boilovers cause smoking and greasy spillovers that may ignite. Heat oils slowly on low or medium settings.
- Always turn hood ON when cooking at high heat or when flambeing food (i.e. Crepes Suzette, Cherries Jubilee, Peppercorn Beef Flambé).
- Clean ventilating fans frequently. Grease should not be allowed to accumulate on fan or filter.
- Use proper pan size. Always use cookware appropriate for the size of the surface element.

**WARNING:** TO REDUCE THE RISK OF INJURY TO PERSONS IN THE EVENT OF A RANGE TOP GREASE FIRE, OBSERVE THE FOLLOWING:<sup>a</sup>

- SMOTHER FLAMES with a close fitting lid, cookie sheet, or metal tray, then turn off the burner. BE CAREFUL TO PREVENT BURNS. If the flames do not go out immediately, EVACUATE AND CALL THE FIRE DEPARTMENT.
- NEVER PICK UP A FLAMING PAN - you may be burned.
- DO NOT USE WATER, including wet dishcloths or towels - a violent steam explosion will result.
- Use an extinguisher ONLY if:
  - You know you have a class ABC extinguisher, and you already know how to operate it.
  - The fire is small and contained in the area where it started.
  - The fire department is being called.
  - You can fight the fire with your back to an exit.

<sup>a</sup>Based on "Kitchen Fire Safety Tips" published by NFPA.

- **WARNING:** To reduce the risk of fire or electrical shock, do not use this fan with any solid-state speed control device.

## READ AND SAVE THESE INSTRUCTIONS

# INSTALLATION REQUIREMENTS

## Tools and Parts

Gather the required tools and parts before starting installation. Read and follow the instructions provided with any tools listed here.

### Tools needed

- Level
- Drill
- Drill 1¼" (3 cm) drill bit
- ⅜" (2.4 mm) drill bit if installing into wood
- ⅝" (7.9 mm) drill bit if installing optional backsplash kit
- Pencil

- Wire stripper or utility knife
- Tape measure or ruler
- Pliers
- Caulking gun and weatherproof caulking compound
- Vent clamps
- Jigsaw or keyhole saw
- Flat-blade screwdriver
- Metal snips
- Phillips screwdriver
- Scissors

## Parts needed

- Home power supply cable
- 1 - 1/2" (12.7 mm) UL listed or CSA approved strain relief
- 2 UL listed wire connectors
- 1 wall or roof cap
- Metal vent system
- 2 - 250-watt max heat lamp bulbs

## Parts supplied

Remove parts from packages. Check that all parts are included.

- 3 metal grease filters for 36" (91.4 cm) models  
4 metal grease filters for 48" (121.9 cm) models
- 10 - #10 Phillips head mounting screws for 36" (91.4 cm) models  
12 - #10 Phillips head mounting screws for 48" (121.9 cm) models
- 4 - washer head screws
- 4 - flat head screws
- 4 - "L" brackets
- Lower chimney cover
- Upper chimney cover
- Damper (2 for 48" [121.9 cm] model)

## Location Requirements

**IMPORTANT:** Observe all governing codes and ordinances.

Have a qualified technician install the range hood. It is the installer's responsibility to comply with installation clearances specified on the model/serial rating plate. The model/serial rating plate is located inside the range hood on the rear wall of the range hood.

Canopy range hood location should be away from strong draft areas, such as windows, doors and strong heating vents.

Cabinet opening dimensions that are shown must be used. Given dimensions provide minimum clearance.

The canopy range hood is factory set for venting through the roof or through the wall.

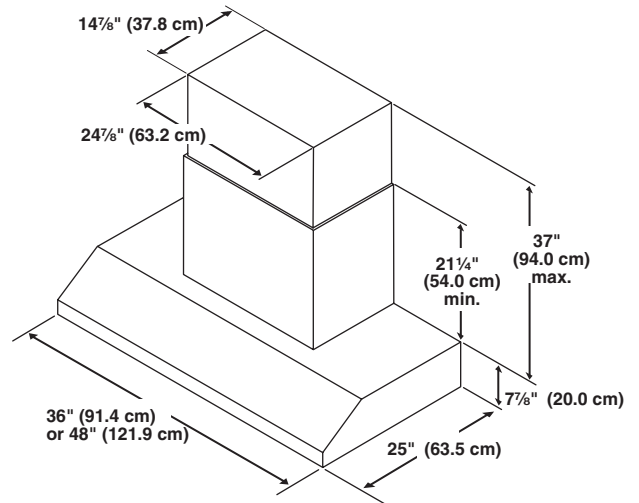
All openings in ceiling and wall where canopy range hood will be installed must be sealed.

## For Mobile Home Installations

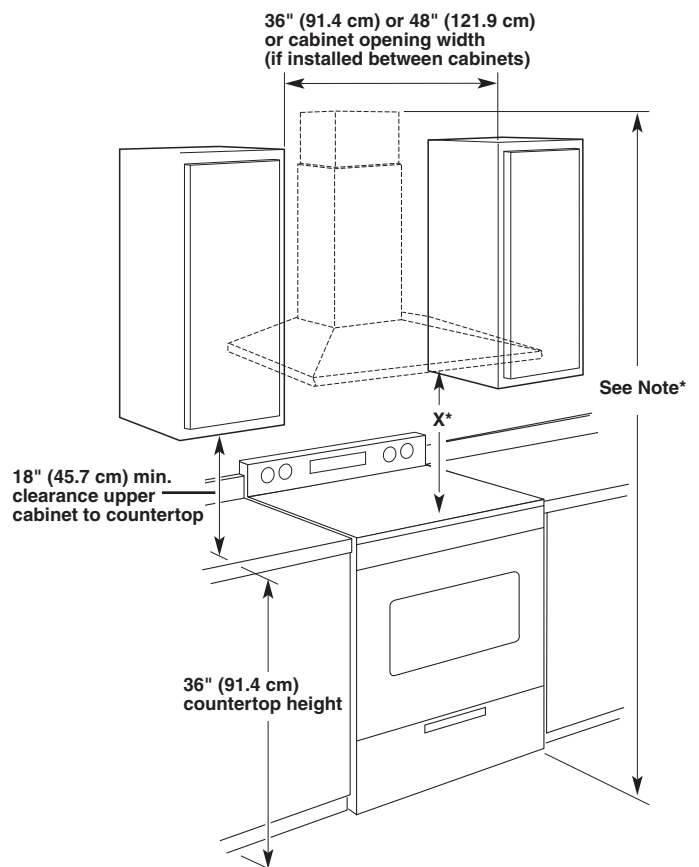
The installation of this range hood must conform to the Manufactured Home Construction Safety Standards, Title 24 CFR, Part 328 (formerly the Federal Standard for Mobile Home Construction and Safety, Title 24, HUD, Part 280) or when such standard is not applicable, the standard for Manufactured Home Installation 1982 (Manufactured Home Sites, Communities and Setups) ANSI A225.1/NFPA 501A\*, or latest edition, or with local codes.

## Product Dimensions

### Vented Installations



### Installation Dimensions



**\*NOTE:** The range hood chimneys are adjustable and designed to meet varying ceiling or soffit heights depending on the distance "X" between the bottom of the range hood and the cooking surface. For higher ceilings, a 39" (99.1 cm) Chimney Extension Kit Part Number W10197714 (Stainless Steel), is available from your dealer or an authorized parts distributor. The chimney extension replaces the upper chimney shipped with the range hood.

### IMPORTANT:

- Minimum distance "X": 30" (76.2 cm)
- Suggested maximum distance "X": 36" (91.4 cm)

For vented installations, the chimneys can be adjusted for ceilings between 8' 4 1/4" (2.55 m) and 9' 3 1/4" (2.83 m).

## Venting Requirements

- Vent system must terminate to the outdoors.
- Do not terminate the vent system in an attic or other enclosed area.
- Do not use 4" (10.2 cm) laundry-type wall caps.
- Use metal vent only. Rigid metal vent is recommended. Plastic or metal foil vent is not recommended.
- The length of vent system and number of elbows should be kept to a minimum to provide efficient performance.

### For the most efficient and quiet operation:

- Use no more than three 90° elbows.
- Make sure there is a minimum of 24" (61.0 cm) of straight vent between the elbows if more than 1 elbow is used.
- Do not install 2 elbows together.
- Use clamps to seal all joints in the vent system.
- The vent system must have a damper. If the roof or wall cap has a damper, do not use the damper supplied with the range hood.
- Use caulking to seal exterior wall or roof opening around the cap.
- The size of the vent should be uniform.

### Cold weather installations

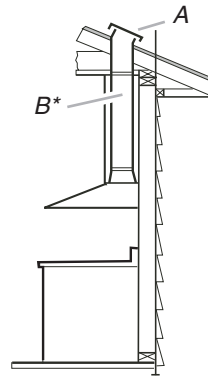
An additional back draft damper should be installed to minimize backward cold air flow and a thermal break should be installed to minimize conduction of outside temperatures as part of the vent system. The damper should be on the cold air side of the thermal break.

The break should be as close as possible to where the vent system enters the heated portion of the house.

### Makeup air

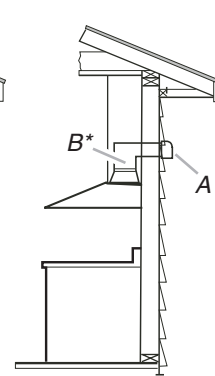
Local building codes may require the use of makeup air systems when using ventilation systems greater than specified CFM of air movement. The specified CFM varies from locale to locale. Consult your HVAC professional for specific requirements in your area.

### Roof Venting



A. Roof cap  
B. 6" (15.2 cm)  
round vent\*

### Wall Venting



A. Wall cap  
B. 6" (15.2 cm)  
round vent\*

\*The 48" (121.9 cm) range hood uses two 6" (15.2 cm) round vents or transitions to 10" (25.4 cm) round vent using Part Number 4396915.

### Calculating Vent System Length

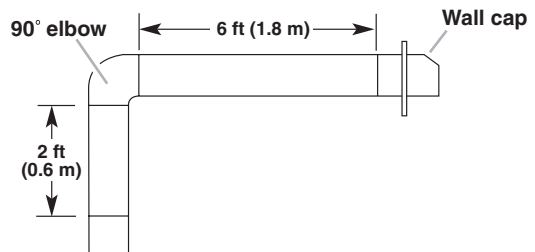
To calculate the length of the system you need, add the equivalent feet (meters) for each vent piece used in the system.

Vent Piece	Equivalent Length
45° elbow	2.5 ft (0.8 m)
90° elbow	5.0 ft (1.5 m)

The maximum equivalent vent lengths are:

- 6" (15.2 cm) round vent - 35 ft (10.7 m)
- 7" (17.8 cm) round vent - 40 ft (12.2 m)
- 8" (20.3 cm) round vent - 50 ft (15.2 m)
- 9" (22.9 cm) and 10" (25.4 cm) round vents - 60 ft (18.3 m)

### Example vent system



The following example falls within the maximum recommended vent length.

1 - 90° elbow	= 5.0 ft (1.5 m)
1 - wall cap	= 0.0 ft (0.0 m)
8 ft (2.4 m) straight	= 8.0 ft (2.4 m)
<b>Length of system</b>	<b>= 13.0 ft (3.9 m)</b>

---

## Electrical Requirements

Observe all governing codes and ordinances.

Ensure that the electrical installation is adequate and in conformance with National Electrical Code, ANSI/NFPA 70 (latest edition), or CSA Standards C22.1-94, Canadian Electrical Code, Part 1 and C22.2 No. 0-M91 (latest edition) and all local codes and ordinances.

If codes permit and a separate ground wire is used, it is recommended that a qualified electrician determine that the ground path is adequate.

A copy of the above code standards can be obtained from:

National Fire Protection Association  
One Batterymarch Park  
Quincy, MA 02269

CSA International  
8501 East Pleasant Valley Road  
Cleveland, OH 44131-5575

- A 120 Volt, 60 Hz., AC only, 15-amp, fused electrical circuit is required.

- If the house has aluminum wiring follow the procedure below:
  1. Connect a section of solid copper wire to the pigtail leads.
  2. Connect the aluminum wiring to the added section of copper wire using special connectors and/or tools designed and UL listed for joining copper to aluminum.Follow the electrical connector manufacturer's recommended procedure. Aluminum/copper connection must conform with local codes and industry accepted wiring practices.
- Wire sizes and connections must conform with the rating of the appliance as specified on the model/serial rating plate. The model/serial plate is located behind the filter on the rear wall of the range hood.
- Wire sizes must conform to the requirements of the National Electrical Code, ANSI/NFPA 70 (latest edition), or CSA Standards C22.1-94, Canadian Electrical Code, Part 1 and C22.2 No. 0-M91 (latest edition) and all local codes and ordinances.

---

# INSTALLATION INSTRUCTIONS

---

## Prepare Location

- It is recommended that the vent system be installed before range hood is installed.
  - Before making cutouts, make sure there is proper clearance within the ceiling or wall for exhaust vent.
  - Check your ceiling height and the range hood height maximum before you select your range hood.
1. Disconnect power.
  2. Determine which venting method to use: roof or wall.
  3. Select a flat surface for assembling the range hood. Place covering over that surface.

### **WARNING**

#### **Excessive Weight Hazard**

**Use two or more people to move and install range hood.**

**Failure to do so can result in back or other injury.**

4. Using 2 or more people, lift range hood onto covered surface.

---

## Optional Backsplash Installation

---

**NOTE:** The following instructions are for the backsplash without shelves. If you are installing the Backsplash with Shelves for Heat Lamps, follow the instructions included with that product. (See "Accessories" in the "Assistance or Service" section to order.)

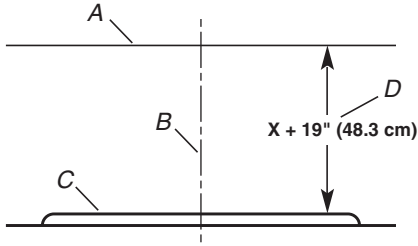
The hardware package supplied with the kit includes 4 plastic wall anchors and mounting screws.

- The height of the backsplash will determine the height of the range hood.

**NOTE:** The minimum height of the range hood above the cooktop is 30" (76.2 cm). The backsplash can be extended from 19<sup>23</sup>/<sub>32</sub>" (50.1 cm) to 39" (99.1 cm). As the 30" (76.2 cm) installation height increases, the range hood's capture area decreases.
- Determine height of the range hood.
- Using 2 or more people, position the backsplash on the wall so that the top of the backsplash is at the height of the bottom edge of the range hood. Mark the location of the four corner holes. It is recommended that the backsplash be attached to the wall at all four corners. However, the lower flange can be secured between the wall and backsplash, countertop or cabinet base without using the bottom corner screws.
- Drill 5/16" (8 mm) holes.
- Push plastic wall anchors all the way into the holes.
- Position the holes in the backsplash over the wall anchors and attach using the screws supplied.

## Range Hood Mounting Screws Installation

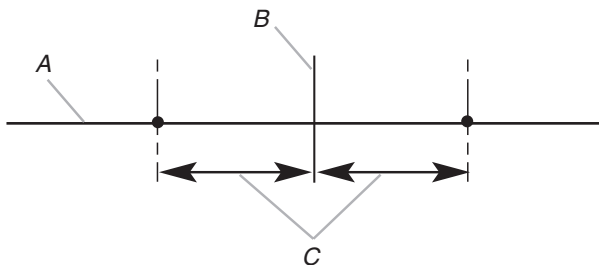
1. Determine and mark the centerline on the wall where the range hood will be installed.
2. Based on the ceiling or soffit height, determine the distance "X" (30" [76.2 cm] min., suggested 36" [91.4 cm] max.) needed between the cooking surface and the bottom of the range hood. To this distance, add 19" (48.3 cm) and draw a horizontal line (A) about 24" (61.0 cm) long centered on the vertical centerline (B) at this distance.



- A. Horizontal line  
 B. Vertical centerline  
 C. Cooking surface  
 D. Distance "X" (30" [76.2 cm] min., suggested 36" [91.4 cm] max.) + 19" (48.3 cm)

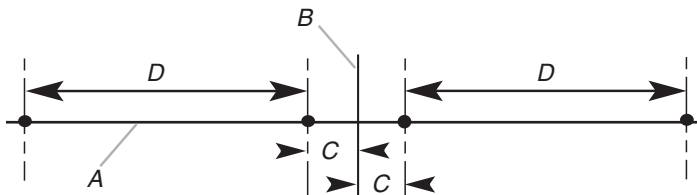
3. Following the illustrations in Step 4, mark points on each side of the horizontal line as measured from the vertical centerline.
4. Drill  $\frac{3}{32}$ " (2.4 mm) pilot holes for installation into wood. The screws provided for mounting this range hood must be fastened into solid wood. Do not fasten only into sheet rock.

### For 36" (91.4 cm) models - 2 mounting holes



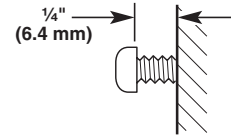
- A. Horizontal line  
 B. Vertical centerline of range hood  
 C.  $4\frac{5}{16}$ " (11.6 cm)

### For 48" (121.9 cm) model) - 4 mounting holes



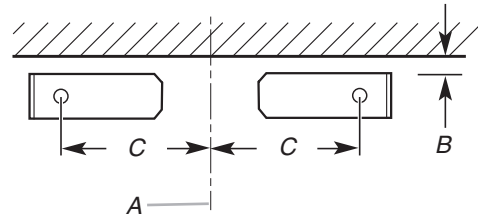
- A. Horizontal line  
 B. Vertical centerline of range hood  
 C.  $1\frac{5}{16}$ " (3.3 cm)  
 D.  $9\frac{1}{8}$ " (23.2 cm)

5. Install the #10 Phillips head mounting screws. Leave a  $\frac{1}{4}$ " (6.4 mm) gap between the wall and the back of the screw head to slide range hood into place.



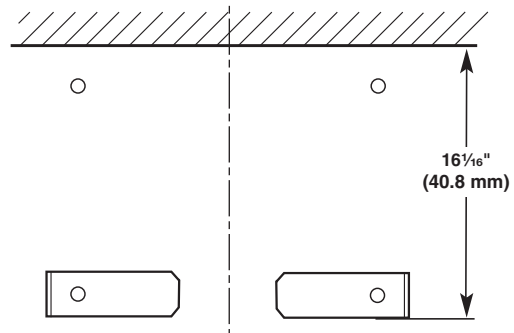
## Chimney Support Bracket Installation

1. Place two of the chimney brackets against the wall so that their top edges are  $\frac{1}{16}$ " (2.0 mm) from the ceiling or soffit and level. Mark holes.



- A. Vertical centerline  
 B.  $\frac{1}{16}$ " (1.6 mm)  
 C. 11" (27.9 cm)

2. Place the other two chimney brackets on the wall so that their lower edges are  $16\frac{1}{16}$ " (40.8 cm) from the ceiling or soffit and level. Mark holes.



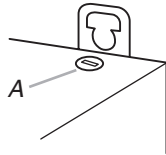
3. Drill pilot holes.
  - If installing into wood, drill 4 -  $\frac{3}{32}$ " (2.4 mm) pilot holes.
4. Attach each bracket to the wall with a #10 Phillips head mounting screw. Tighten screws securely.

## Complete Preparation

1. Determine and make all necessary cuts in the wall for the vent system. Install the vent system before installing the range hood. See the "Venting Requirements" section.
2. Determine the location where the power supply cable will be run through the wall. Be sure that the location will be covered by the chimney of the range hood.
3. Drill a  $1\frac{1}{4}$ " (3.2 cm) hole at this location.
4. Pull enough power supply cable through the wall to allow for easy connection to the terminal box.
5. If roof or wall cap does not have a damper, attach damper to exhaust openings on top of the range hood using 2 Phillips head screws.
6. If the 48" (121.9 cm) range hood is to be connected to the 10" (25.4 cm) round vent system, install the vent transition piece now.

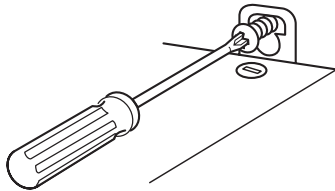
## Install Range Hood

1. Use a flat-blade screwdriver and tighten the 2 leveling screws located close to the range hood mounting brackets.



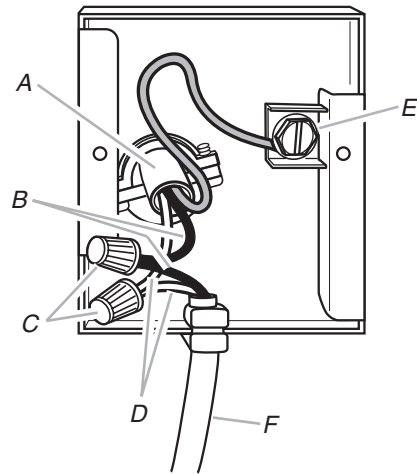
A. Leveling screw

2. Using 2 or more people, lift the range hood and place the mounting hood brackets over the mounting screws. Securely tighten the screws.



3. Level the range hood. Adjust the 2 leveling screws (see Step 1) as needed.

5. Run 3 wires, black, white, green or bare through strain relief, into terminal box. Use caulking to seal openings.



A. Home power supply cable

B. Black wires

C. UL listed wire connectors

D. White wires

E. Green (or bare) ground wire from home power supply connected to green ground screw

F. Range hood power supply cable

6. Use UL listed wire connectors and connect the 3 black wires (B) together (2 wires from the range hood and 1 wire from the home supply cable).
7. Use UL listed wire connectors and connect the 3 white wires (D) together (2 wires from the range hood and 1 wire from the home supply cable).

## Make Electrical Connection

### ⚠ WARNING



#### Electrical Shock Hazard

**Disconnect power before servicing.**

**Replace all parts and panels before operating.**

**Failure to do so can result in death or electrical shock.**

1. Disconnect power.
2. Remove the filters.
  - NOTE:** Use 2 hands to remove the filters, one to pull and turn the knob, the other to hold the filter so that it doesn't fall.
    - Pull knob forward (toward the front of the range hood) while turning the knob counterclockwise to release the locking lever.
    - Slide the filter down and away from the front retaining channel.
3. Remove terminal box cover.
4. Install a UL listed or CSA approved ½" strain relief in the hole on top of the canopy.

### ⚠ WARNING



#### Fire Hazard

**Electrically ground the blower.**

**Use copper wire.**

**Connect ground wire to green ground screw in terminal box.**

**Failure to do so can result in death, fire, or electrical shock.**

8. Connect green (or bare) ground wire from home power supply to the unused green ground screw (E) in the terminal box.
9. Tighten strain relief screws.
10. Install terminal box cover.
11. Check all light bulbs to make sure they are secure in their sockets.
12. Reconnect power.



---

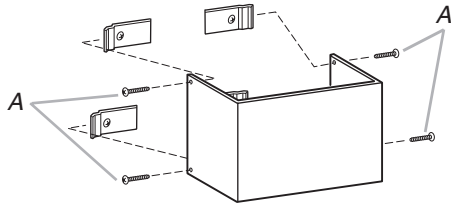
## Install Chimney Covers

1. Install damper on top of the exhaust opening. Check that the damper opens freely. On 48" (121.9 cm) models, install 2 dampers.
2. Connect the vent system and seal all connections with clamps.

---

### Install Upper Chimney Cover

1. Slightly spread the sides of the cover apart and hook them behind the chimney mounting brackets.
2. Attach the cover to the brackets with 4 flat head screws.
3. Securely tighten screws.

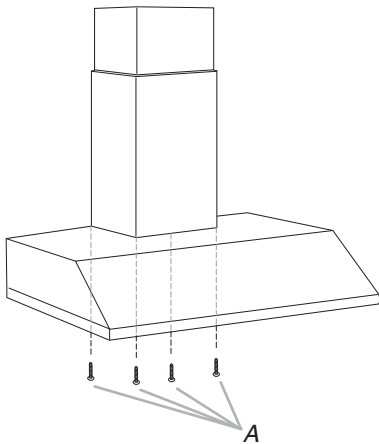


A. 4 flat head screws

---

### Install Lower Chimney Cover

1. Slightly spread the sides of the cover apart and hook them behind the upper chimney.
2. From inside the range hood, use the 4 Phillips washer head screws to attach the lower chimney cover to the canopy of the range hood.
3. Securely tighten screws.



A. 4 washer head screws

---

## Install Grease Filters

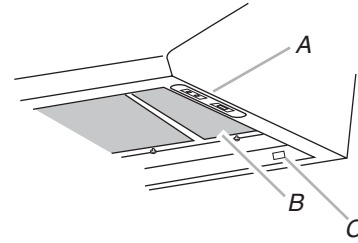
**NOTE:** Use 2 hands to install filter, one to pull and turn the knob, the other to hold the filter in place so that it doesn't fall.

1. Insert back edge of filter into rear channel of the filter opening.
2. Pull out on knob and turn counterclockwise, position front edge into place and release knob.
3. Repeat for remaining filters.

---

## Check Operation

1. Check operation of the range hood by turning on the power.
2. The range hood controls are located on the right-hand underside of the range hood.



A. Controls  
B. Filters  
C. Heat lamp switch

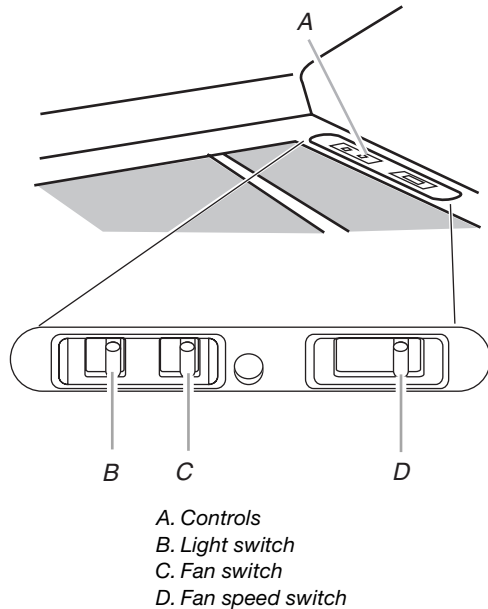
3. Move the light switch to "1" position. The light should turn on.
4. Move fan switch to "On" position. The fan should operate.
5. Move the fan speed switch to "1" position for low speed, "2" position for medium speed, or "3" position for high speed.
6. Move fan and light switches to "Off" position to turn fan and light off.
7. If range hood does not operate, check to see whether a circuit breaker has tripped or a household fuse has blown. Disconnect power supply and check that the wiring is correct.

**NOTE:** To get the most efficient use from your new range hood, read the "Range Hood Use" section.

# RANGE HOOD USE

The range hood is designed to remove smoke, cooking vapors and odors from the cooktop area. For best results, start the range hood before cooking and allow it to operate several minutes after the cooking is complete to clear all smoke and odors from the kitchen.

The range hood controls are located on the right-hand underside of the range hood.



## Range Hood Controls

### Operating the light

1. Move the light switch to the “1” position to turn range hood light to night light setting.
2. Move the light switch to the “2” position to turn range hood light to full light setting.
3. Move the light switch to the “Off” position to turn range hood light OFF.

### Operating the fan

1. Move the fan switch to the “On” position to turn the fan ON. The fan will begin operating at the speed set on the fan speed switch.
2. Move the fan switch to the “Off” position to turn the fan OFF.

### Auto On Fan

The range hood is equipped with a sensor to automatically turn on the fan when excessive heat is detected in the control area. When the fan switch is in the “Off” position, this sensor will turn the fan to high speed when necessary. When the heat decreases, the fan will turn off.

When the fan switch is in the “On” position, the heat sensor is not active and the range hood functions normally.

### Adjusting the fan

The fan has 3 speed controls. Move the fan speed switch to “1” position for low speed, “2” position for medium speed, or “3” position for high speed.

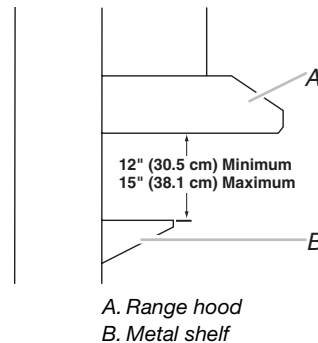
### Thermal Protector

The range hood is equipped with a thermal protector to avoid overheating conditions. If the range hood shuts off while in use, move fan slider switch to Off to turn off the range hood. Wait approximately 60 minutes, then move slider to On to restart the range hood.

### Operating the heat lamp

The heat lamps are designed to keep food warm prior to serving. The cooktop surface is too far away from the heat lamp to be used as a shelf.

For best results, install a metal shelf to hold the food closer to the lamps. The optimum distance between the shelf and the hood is 12" (30.5 cm) to 15" (38.1 cm).



For best performance, food should be placed directly under the heat lamps, not between them. You may need to adjust your food placement to match your needs.

1. Install heat lamp bulbs (not included) into heat lamp sockets.  
**NOTE:** Heat lamp bulbs should be rated to a maximum of 250 watts each. For best performance, 250 watt, R40 type, red heat lamp bulbs are recommended. Bulb performance varies. Lower wattage and clear bulbs decrease the performance.

## **⚠ WARNING**

### **Food Poisoning Hazard**

**Do not let food sit for more than one hour before or after cooking.**

**Doing so can result in food poisoning or sickness.**

2. To turn on a heat lamp, move the switch for the desired lamp into the “1” position. To turn off the heat lamp, move the switch to the “O” position. Repeat for the other heat lamp.  
**NOTE:** The left switch is for the left heat lamp, and the right switch is for the right heat lamp.

# RANGE HOOD CARE

## Range Hood Lamps

### Replacing a Halogen Lamp

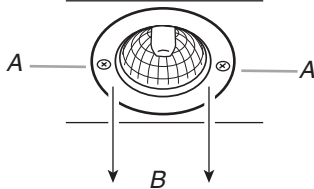
This range hood uses 12-volt, 20-watt halogen lamps.

Turn off the range hood and allow the halogen lamps to cool.

To avoid damage or decreasing the life of the new bulb, do not touch bulb with bare fingers. Replace bulb using tissue or wearing cotton gloves to handle bulb.

#### To Replace:

1. Disconnect power.
2. Remove 2 screws from the circular metal trim around the lamp assembly.
3. Pull the trim and lamp assembly down far enough so that the lamp can be pulled out of the socket clips.



- A. Remove 2 screws.  
B. Pull trim with lamp assembly down.

4. Insert the new lamp into the socket clips and push the lamp assembly back up into the range hood.
5. Replace the screws.
6. Reconnect the power.

### Replacing a Heat Lamp

This range hood uses two 250 watt maximum heat lamps.

Turn off the heat lamps and allow them to cool.

#### To Replace:

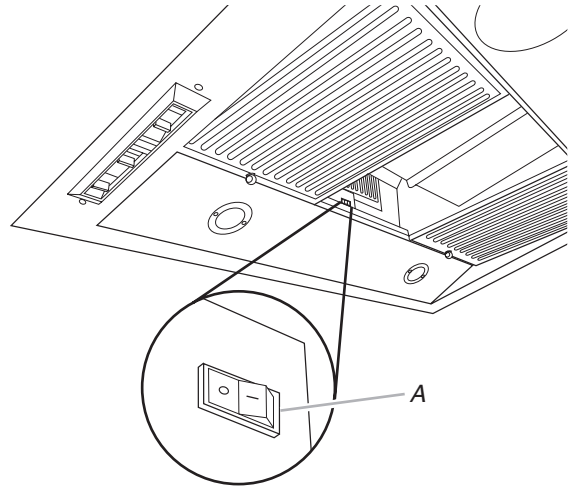
1. Disconnect power.
2. Remove the heat lamp bulb from its socket.
3. Replace the heat lamp bulb with the same type bulb and tighten it in its socket.
4. Repeat steps 2 and 3 with the other heat lamp bulb if necessary.
5. Reconnect the power.

## Cleaning

**NOTE:** The range hood control is equipped with a sensor that will automatically turn the fan on high speed when excessive heat is detected in the control area and the fan switch is in the "Off" position.

Before cleaning or servicing the range hood, move the fan auto-on switch to the "O" position (sensor Off). The switch is located behind the filters. See "Metal Filters" in this section to remove the filters.

When cleaning or servicing is complete, move the fan auto-on switch to the "I" position (sensor On).



A. Fan auto-on switch (shown in Off position)

### Exterior surfaces:

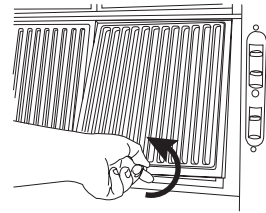
To avoid damage to the exterior surface, do not use steel wool or soap-filled scouring pads. Rub in direction of the grain line to avoid scratching the surface.

Always wipe dry to avoid water marks.

- Stainless Steel Cleaner and Polish.
- Mild liquid detergent and water.
- Wipe with damp soft cloth or nonabrasive sponge, then rinse with clean water and wipe dry.

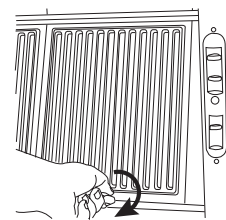
### Metal Filters:

For vented installations, use 2 hands to remove filters. Turn the knob to the left (counterclockwise) to release filter. Repeat with other filter.

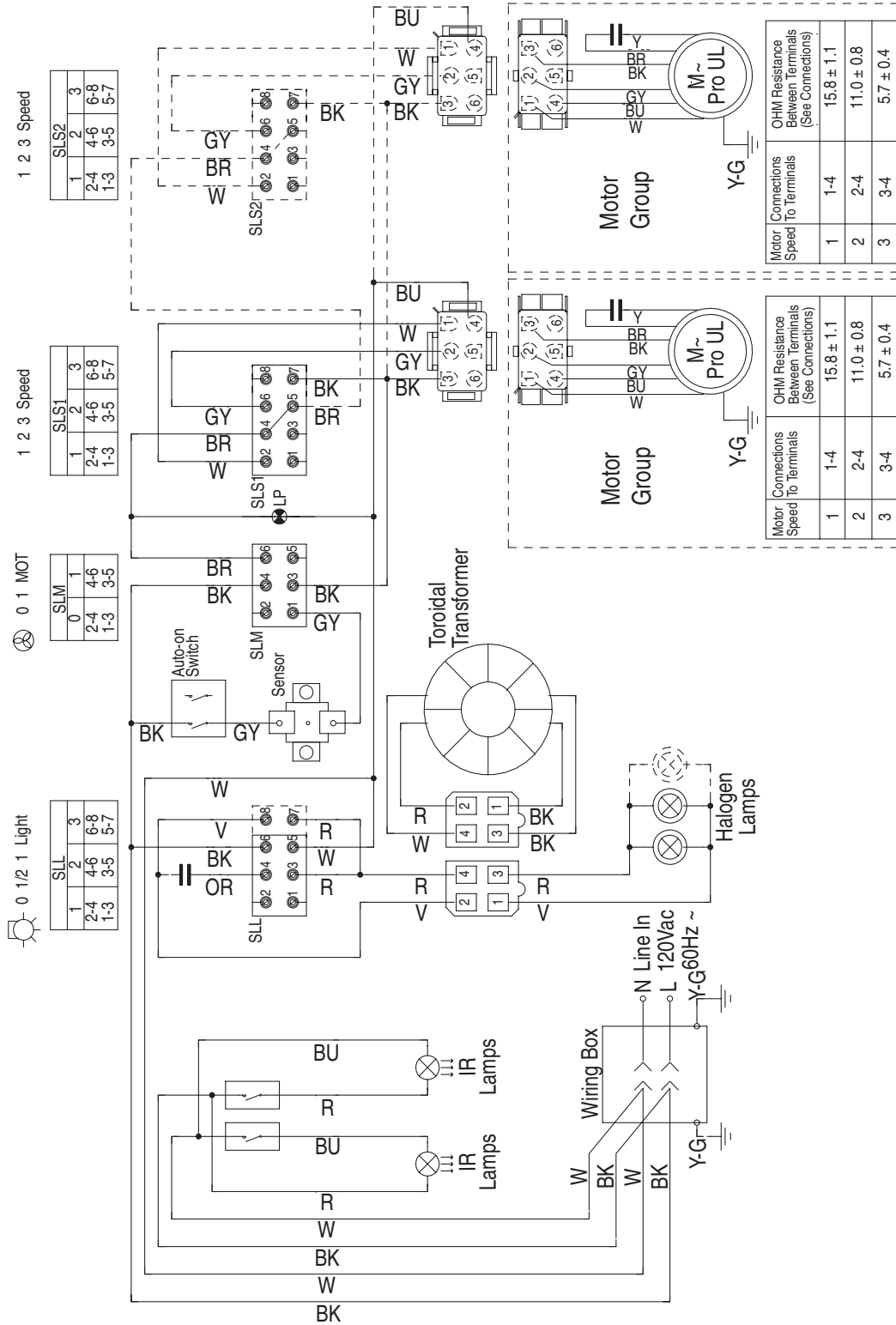


Wash metal filters as needed in dishwasher or hot detergent solution to clean.

Reinstall the filter by placing the back edge in the channel at rear of range hood. Push filter into place, turn the knob to the right (clockwise) to attach to range hood. Repeat with other filter.



# WIRING DIAGRAM



---

# ASSISTANCE OR SERVICE

---

When calling for assistance or service, please know the purchase date and the complete model and serial number of your appliance. This information will help us to better respond to your request.

## If you need replacement parts

If you need to order replacement parts, we recommend that you use only factory specified parts. Factory specified parts will fit right and work right because they are made with the same precision used to build every new appliance. To locate factory specified replacement parts in your area, call us or your nearest designated service center.

---

## In the U.S.A.

Call the KitchenAid Customer eXperience Center toll free: **1-800-422-1230**.

### Our consultants provide assistance with:

- Features and specifications on our full line of appliances.
- Installation information.
- Use and maintenance procedures.
- Accessory and repair parts sales.
- Specialized customer assistance (Spanish speaking, hearing impaired, limited vision, etc.).
- Referrals to local dealers, repair parts distributors and service companies. KitchenAid designated service technicians are trained to fulfill the product warranty and provide after-warranty service, anywhere in the United States.

To locate the KitchenAid designated service company in your area, you can also look in your telephone directory Yellow Pages.

### For further assistance

If you need further assistance, you can write to KitchenAid with any questions or concerns at:

KitchenAid Brand Home Appliances  
Customer eXperience Center  
553 Benson Road  
Benton Harbor, MI 49022-2692

Please include a daytime phone number in your correspondence.

---

## In Canada

Call the KitchenAid Canada Customer eXperience Centre toll free: **1-800-807-6777**.

### Our consultants provide assistance with:

- Features and specifications on our full line of appliances.
- Use and maintenance procedures.
- Accessory and repair parts sales.
- Referrals to local dealers, repair parts distributors and service companies. KitchenAid Canada designated service technicians are trained to fulfill the product warranty and provide after-warranty service, anywhere in Canada.

### For further assistance

If you need further assistance, you can write to KitchenAid Canada with any questions or concerns at:

Customer eXperience Centre  
KitchenAid Canada  
1901 Minnesota Court  
Mississauga, Ontario L5N 3A7

Please include a daytime phone number in your correspondence.

---

## Accessories

### Chimney Extension Kit

Order Part Number W10197714 Stainless Steel

### Backsplash Kit (for use without Heat Lamp)

Order Part Number 8284756 for 36" (91.4 cm) model  
Order Part Number 8284755 for 48" (121.9 cm) model

### Backsplash Kit (for use with Heat Lamp)

Order Part Number W10225949 for 36" (91.4 cm) model  
Order Part Number W10225948 for 48" (121.9 cm) model

---

# KITCHENAID® VENTILATION WARRANTY

---

## LIMITED WARRANTY

For one year from the date of purchase, when this major appliance is operated and maintained according to instructions attached to or furnished with the product, KitchenAid brand of Whirlpool Corporation or Whirlpool Canada LP (hereafter "KitchenAid") will pay for Factory Specified Parts and repair labor to correct defects in materials or workmanship. Service must be provided by a KitchenAid designated service company. This limited warranty is valid only in the United States or Canada and applies only when the major appliance is used in the country in which it was purchased. Outside the 50 United States and Canada, this limited warranty does not apply. Proof of original purchase date is required to obtain service under this limited warranty.

---

## ITEMS EXCLUDED FROM WARRANTY

### This limited warranty does not cover:

1. Service calls to correct the installation of your major appliance, to instruct you on how to use your major appliance, to replace or repair house fuses, or to correct house wiring or plumbing.
2. Service calls to repair or replace appliance light bulbs, air filters or water filters. Consumable parts are excluded from warranty coverage.
3. Repairs when your major appliance is used for other than normal, single-family household use or when it is used in a manner that is contrary to published user or operator instructions and/or installation instructions.
4. Damage resulting from accident, alteration, misuse, abuse, fire, flood, acts of God, improper installation, installation not in accordance with electrical or plumbing codes, or use of consumables or cleaning products not approved by KitchenAid.
5. Cosmetic damage, including scratches, dents, chips or other damage to the finish of your major appliance, unless such damage results from defects in materials or workmanship and is reported to KitchenAid within 30 days from the date of purchase.
6. Costs associated with the removal from your home of your major appliance for repairs. This major appliance is designed to be repaired in the home and only in-home service is covered by this warranty.
7. Repairs to parts or systems resulting from unauthorized modifications made to the appliance.
8. Expenses for travel and transportation for product service if your major appliance is located in a remote area where service by an authorized KitchenAid servicer is not available.
9. The removal and reinstallation of your major appliance if it is installed in an inaccessible location or is not installed in accordance with published installation instructions.
10. Major appliances with original model/serial numbers that have been removed, altered or cannot be easily determined. This warranty is void if the factory applied serial number has been altered or removed from your major appliance.

The cost of repair or replacement under these excluded circumstances shall be borne by the customer.

---

## DISCLAIMER OF IMPLIED WARRANTIES; LIMITATION OF REMEDIES

CUSTOMER'S SOLE AND EXCLUSIVE REMEDY UNDER THIS LIMITED WARRANTY SHALL BE PRODUCT REPAIR AS PROVIDED HEREIN. IMPLIED WARRANTIES, INCLUDING WARRANTIES OF MERCHANTABILITY OR FITNESS FOR A PARTICULAR PURPOSE, ARE LIMITED TO ONE YEAR OR THE SHORTEST PERIOD ALLOWED BY LAW. KITCHENAID SHALL NOT BE LIABLE FOR INCIDENTAL OR CONSEQUENTIAL DAMAGES. SOME STATES AND PROVINCES DO NOT ALLOW THE EXCLUSION OR LIMITATION OF INCIDENTAL OR CONSEQUENTIAL DAMAGES, OR LIMITATIONS ON THE DURATION OF IMPLIED WARRANTIES OF MERCHANTABILITY OR FITNESS, SO THESE EXCLUSIONS OR LIMITATIONS MAY NOT APPLY TO YOU. THIS WARRANTY GIVES YOU SPECIFIC LEGAL RIGHTS, AND YOU MAY ALSO HAVE OTHER RIGHTS WHICH VARY FROM STATE TO STATE OR PROVINCE TO PROVINCE.

---

If outside the 50 United States and Canada, contact your authorized KitchenAid dealer to determine if another warranty applies.

If you need service, first see the "Troubleshooting" section of the Use & Care Guide. After checking "Troubleshooting," you may find additional help by checking the "Assistance or Service" section or by calling KitchenAid. In the U.S.A., call **1-800-422-1230**. In Canada, call **1-800-807-6777**.

9/07

**Keep this book and your sales slip together for future reference. You must provide proof of purchase or installation date for in-warranty service.**

Write down the following information about your major appliance to better help you obtain assistance or service if you ever need it. You will need to know your complete model number and serial number. You can find this information on the model and serial number label located on the product.

Dealer name \_\_\_\_\_  
Address \_\_\_\_\_  
Phone number \_\_\_\_\_  
Model number \_\_\_\_\_  
Serial number \_\_\_\_\_  
Purchase date \_\_\_\_\_

# SÉCURITÉ DE LA HOTTE DE CUISINIÈRE

## Votre sécurité et celle des autres est très importante.

Nous donnons de nombreux messages de sécurité importants dans ce manuel et sur votre appareil ménager. Assurez-vous de toujours lire tous les messages de sécurité et de vous y conformer.



Voici le symbole d'alerte de sécurité.

Ce symbole d'alerte de sécurité vous signale les dangers potentiels de décès et de blessures graves à vous et à d'autres.

Tous les messages de sécurité suivront le symbole d'alerte de sécurité et le mot "DANGER" ou "AVERTISSEMENT". Ces mots signifient :

**⚠ DANGER**

**Risque possible de décès ou de blessure grave si vous ne suivez pas immédiatement les instructions.**

**⚠ AVERTISSEMENT**

**Risque possible de décès ou de blessure grave si vous ne suivez pas les instructions.**

Tous les messages de sécurité vous diront quel est le danger potentiel et vous disent comment réduire le risque de blessure et ce qui peut se produire en cas de non-respect des instructions.

# IMPORTANTES INSTRUCTIONS DE SÉCURITÉ

**AVERTISSEMENT : POUR RÉDUIRE LE RISQUE D'INCENDIE, CHOC ÉLECTRIQUE OU DOMMAGES CORPORELS, RESPECTER LES INSTRUCTIONS SUIVANTES :**

- Utiliser cet appareil uniquement dans les applications envisagées par le fabricant. Pour toute question, contacter le fabricant.
- Avant d'entreprendre un travail d'entretien ou de nettoyage, interrompre l'alimentation de la hotte au niveau du tableau de disjoncteurs, et verrouiller le tableau de disjoncteurs pour empêcher tout rétablissement accidentel de l'alimentation du circuit. Lorsqu'il n'est pas possible de verrouiller le tableau de disjoncteurs, placer sur le tableau de disjoncteurs une étiquette d'avertissement proéminente interdisant le rétablissement de l'alimentation.
- Tout travail d'installation ou câblage électrique doit être réalisé par une personne qualifiée, dans le respect des prescriptions de tous les codes et normes applicables, y compris les codes du bâtiment et de protection contre les incendies.
- Une source d'air de débit suffisant est nécessaire pour le fonctionnement correct de tout appareil à gaz (combustion et évacuation des gaz à combustion par la cheminée), pour qu'il n'y ait pas de reflux des gaz de combustion. Respecter les directives du fabricant de l'équipement de chauffage et les prescriptions des normes de sécurité - comme celles publiées par la National Fire Protection Association (NFPA) et l'American Society for Heating, Refrigeration and Air Conditioning Engineers (ASHRAE), et les prescriptions des autorités réglementaires locales.
- Lors d'opérations de découpage et de perçage dans un mur ou un plafond, veiller à ne pas endommager les câblages électriques ou canalisations qui peuvent s'y trouver.
- Les ventilateurs d'évacuation doivent toujours décharger l'air à l'extérieur.

**MISE EN GARDE :** Cet appareil est conçu uniquement pour la ventilation générale. Ne pas l'utiliser pour l'extraction de matières ou vapeurs dangereuses ou explosives.

**MISE EN GARDE :** Pour minimiser le risque d'incendie et évacuer adéquatement les gaz, veiller à acheminer l'air aspiré par un conduit jusqu'à l'extérieur - ne pas décharger l'air aspiré dans un espace vide du bâtiment comme une cavité murale, un plafond, un grenier, un vide sanitaire ou un garage.

**AVERTISSEMENT : POUR RÉDUIRE LE RISQUE D'INCENDIE, UTILISER UNIQUEMENT DES CONDUITS MÉTALLIQUES.**

**AVERTISSEMENT : POUR MINIMISER LE RISQUE D'UN FEU DE GRAISSE SUR LA CUISINIÈRE :**

- Ne jamais laisser un élément de surface fonctionner à puissance de chauffage maximale sans surveillance. Un renversement/débordement de matière grasseuse pourrait provoquer une inflammation et la génération de fumée. Utiliser une puissance de chauffage moyenne ou basse pour le chauffage d'huile.
- Veiller à toujours faire fonctionner le ventilateur de la hotte lors de la cuisson avec une puissance de chauffage élevée ou lors de la cuisson d'un mets à flamber (à savoir crêpes Suzette, cerise jubilee, steak au poivre flambé).
- Nettoyer fréquemment les ventilateurs d'extraction. Veiller à ne pas laisser la graisse s'accumuler sur les surfaces du ventilateur ou des filtres.
- Utiliser toujours un ustensile de taille appropriée. Utiliser toujours un ustensile adapté à la taille de l'élément chauffant.

**AVERTISSEMENT : POUR RÉDUIRE LE RISQUE DE DOMMAGES CORPORELS APRÈS LE DÉCLENCHEMENT D'UN FEU DE GRAISSE SUR LA CUISINIÈRE, APPLIQUER LES RECOMMANDATIONS SUIVANTES :<sup>a</sup>**

- Placer sur le récipient un couvercle bien ajusté, une tôle à biscuits ou un plateau métallique **POUR ÉTOUFFER LES FLAMMES**, puis éteindre le brûleur. **VEILLER À ÉVITER LES BRÛLURES**. Si les flammes ne s'éteignent pas immédiatement, **ÉVACUER LA PIÈCE ET APPELER LES POMPIERS**.
- **NE JAMAIS PRENDRE EN MAIN UN RÉCIPENT ENFLAMMÉ** - vous risquez de vous brûler.
- **NE PAS UTILISER D'EAU**, ni un torchon humide - ceci pourrait provoquer une explosion de vapeur brûlante.
- Utiliser un extincteur **SEULEMENT** si :
  - Il s'agit d'un extincteur de classe ABC, dont on connaît le fonctionnement.
  - Il s'agit d'un petit feu encore limité à l'endroit où il s'est déclaré.
  - Les pompiers ont été contactés.
  - Il est possible de garder le dos orienté vers une sortie pendant l'opération de lutte contre le feu.

<sup>a</sup>Recommandations tirées des conseils de sécurité en cas d'incendie de cuisine publiés par la NFPA.

- **AVERTISSEMENT :** Pour réduire le risque d'incendie ou de choc électrique, ne pas utiliser ce ventilateur avec un quelconque dispositif de réglage de la vitesse à semi-conducteurs.

## LIRE ET CONSERVER CES INSTRUCTIONS



# EXIGENCES D'INSTALLATION

## Outillage et pièces

Rassembler les outils et pièces nécessaires avant de commencer l'installation. Lire et suivre les instructions fournies avec les outils indiqués ici.

### Outils nécessaires

- Niveau
- Perceuse
- Foret de 1 1/4" (3 cm)
- Foret de 3/32" (2,4 mm) en cas d'installation dans du bois.
- Foret de 5/16" (7,9 mm) en cas d'installation d'un ensemble de dossier facultatif.
- Crayon
- Pince à dénuder ou couteau utilitaire
- Mètre-ruban ou règle
- Pince
- Pistolet à calfeutrage et composé de calfeutrage résistant aux intempéries
- Brides de serrage pour conduit d'évacuation
- Scie sauteuse ou scie à guichet
- Tournevis à lame plate
- Cisaille de ferblantier
- Tournevis Phillips
- Ciseaux

### Pièces nécessaires

- Cordon d'alimentation électrique du domicile
- 1 serre-câble de 1/2" (12,7 mm) (homologation UL ou CSA)
- 2 connecteurs de fils homologués UL
- Bouche de décharge murale ou par le toit
- Circuit d'évacuation métallique
- 2 ampoules de lampes chauffantes de 250 W maximum

### Pièces fournies

Retirer les pièces des emballages. Vérifier que toutes les pièces sont présentes.

- 3 filtres à graisse métalliques, pour modèle de 36" (91,4 cm)  
4 filtres à graisse métalliques, pour modèle de 48" (121,9 cm)
- 10 vis de montage Phillips n° 10, pour modèle de 36" (91,4 cm)  
12 vis de montage Phillips n° 10, pour modèle de 48" (121,9 cm)
- 4 vis rondelle
- 4 vis à tête plate
- 4 brides en "L"
- Section inférieure du cache-cheminée
- Section supérieure du cache-cheminée
- Clapet (2 pour modèle de 48" [121,9 cm])

## Exigences d'emplacement

**IMPORTANT :** Observer les dispositions de tous les codes et règlements en vigueur.

Confier l'installation de la hotte à un technicien qualifié. C'est à l'installateur qu'incombe la responsabilité de respecter les distances de séparation spécifiées sur la plaque signalétique de l'appareil. La plaque signalétique est située à l'intérieur de la hotte, sur la paroi arrière.

On doit toujours installer la hotte à distance des sources de courant d'air (fenêtres, portes et bouches de chauffage).

Respecter les dimensions indiquées pour les ouvertures à découper dans les placards; ces dimensions tiennent compte des valeurs minimales des dégagements de séparation.

La hotte est configurée à l'usine pour la décharge à travers le toit ou un mur.

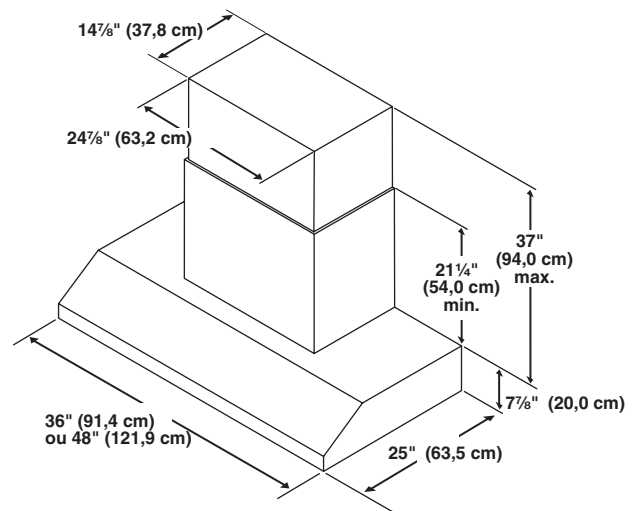
Assurer l'étanchéité au niveau de chaque ouverture découpée dans le plafond ou le mur pour l'installation de la hotte de cuisinière.

### Installation dans une résidence mobile

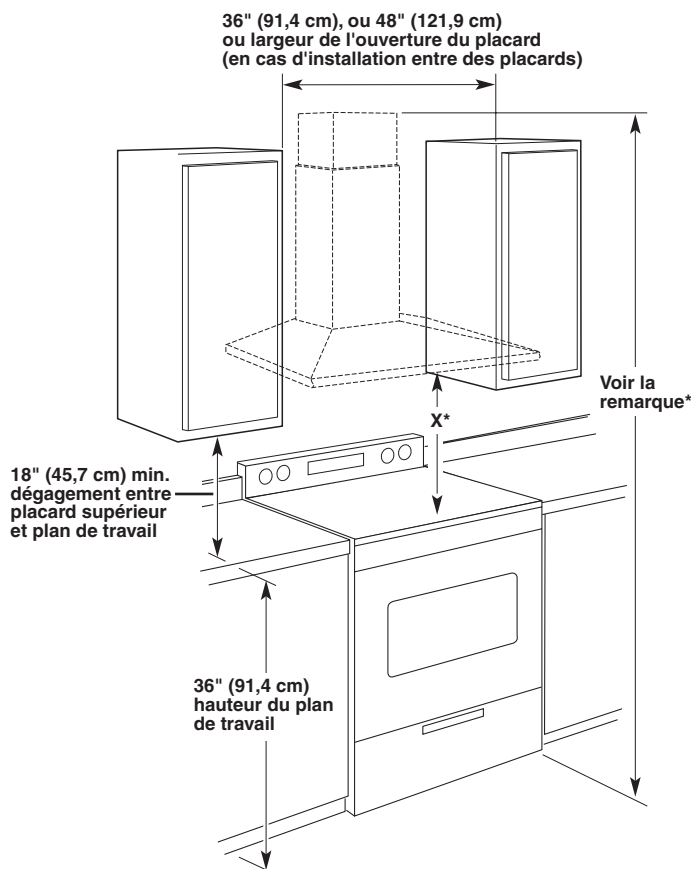
L'installation de cette hotte doit satisfaire aux exigences de la norme Manufactured Home Construction Safety Standards, Titre 24 CFR, partie 328 (anciennement Federal Standard for Mobile Home Construction and Safety, titre 24, HUD, partie 280); lorsque cette norme n'est pas applicable, l'installation doit satisfaire aux critères de la plus récente édition de la norme Manufactured Home Installation 1982 (Manufactured Home Sites, Communities and Setups) ANSI A225.1/NFPA 501A\*, ou des codes et règlements locaux.

## Dimensions du produit

### Installations avec décharge à l'extérieur



## Dimensions à respecter lors de l'installation



**\*REMARQUE :** La cheminée de la hotte est réglable; on peut l'ajuster en fonction de la hauteur disponible sous plafond ou soffite, et selon la distance "X" entre le bas de la hotte et la surface de cuisson. Pour des hauteurs sous plafond plus élevées, un ensemble d'extension de cheminée de 39" (99,1 cm), pièce n° W10197714 (acier inoxydable), est disponible chez votre marchand ou chez un distributeur de pièces autorisé. L'extension de cheminée remplace la section supérieure de cheminée fournie avec la hotte.

### IMPORTANT :

Valeur minimale de la distance "X" : 30" (76,2 cm)

Valeur maximale suggérée pour la distance "X" :

36" (91,4 cm)

Pour les installations avec décharge à l'extérieur, on peut ajuster la cheminée pour une hauteur sous plafond de 8' 4¼" (2,55 m) à 9' 3¼" (2,83 m).

## Exigences concernant l'évacuation

- Le système d'évacuation doit décharger l'air à l'extérieur.
- Ne pas terminer le système d'évacuation dans un grenier ou dans un autre espace fermé.
- Ne pas utiliser une bouche de décharge murale de 4" (10,2 cm) normalement utilisée pour un équipement de buanderie.
- Utiliser un conduit d'évacuation métallique uniquement. Un conduit en métal rigide est recommandé. L'emploi d'un conduit de plastique ou en aluminium n'est pas recommandé.
- La longueur du système d'évacuation et le nombre de coudes doit être réduit au minimum pour fournir la meilleure performance.

### Pour un fonctionnement efficace et silencieux :

- Ne pas utiliser plus de trois coudes à 90°.
- Veiller à ce qu'il y ait une section droite de conduit de 24" (61,0 cm) ou plus entre deux coudes, si on doit utiliser plus d'un coude.
- Ne pas installer 2 coudes ensemble.
- Au niveau de chaque jointure du système d'évacuation, assurer l'étanchéité avec les brides de serrage pour conduit.
- Le système d'évacuation doit comporter un clapet. Si la bouche de décharge murale ou par le toit comporte un clapet, ne pas utiliser le clapet fourni avec la hotte de cuisinière.
- Autour de la bouche de décharge à l'extérieur (par le mur ou par le toit), assurer l'étanchéité avec un produit de calfeutrage.
- La taille du conduit doit être uniforme.

### Installations pour régions à climat froid

On doit installer un clapet anti-reflux additionnel à l'arrière pour minimiser le reflux d'air froid, et incorporer un élément d'isolation thermique pour minimiser la conduction de chaleur par l'intermédiaire du système d'évacuation. Le clapet anti-reflux doit être placé du côté air froid par rapport à l'élément d'isolation thermique.

L'élément d'isolation thermique doit être aussi proche que possible de l'endroit où le système d'évacuation s'introduit dans la partie chauffée de la maison.

### Air d'appoint

Les codes de bâtiment locaux peuvent exiger l'emploi d'un système d'appoint d'air lors de l'emploi d'un ventilateur d'extraction dont la capacité d'aspiration est supérieure à un débit (pieds cubes par minute) spécifié. Le débit spécifié, en pieds cubes par minute, est variable d'une juridiction à une autre. Consulter un professionnel des installations de chauffage/ventilation/climatisation au sujet des exigences spécifiques applicables dans la juridiction locale.

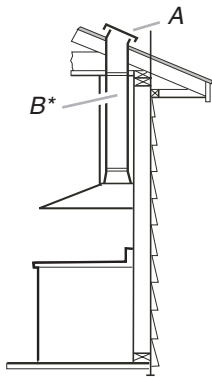
### Méthodes d'évacuation

Un circuit d'évacuation de conduits ronds de 6" (15,2 cm) est nécessaire pour l'installation (non fourni). La hotte comporte une ouverture de sortie de diamètre 6" (15,2 cm). Deux circuits d'évacuation ronds de 6" (15,2 cm) sont nécessaires pour une installation sur des modèles de 48" (121,9 cm).

**REMARQUE :** On déconseille l'emploi d'un conduit flexible. Un conduit flexible peut causer une rétro-pression et des turbulences de l'air, ce qui réduit considérablement la performance.

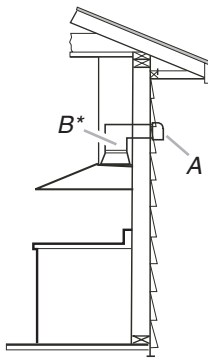
La sortie à l'extérieur du circuit d'évacuation peut se faire à travers le toit ou à travers un mur. Pour la sortie à travers un mur, l'utilisation d'un coude de 90° est nécessaire.

### Décharge à travers le toit



A. Bouche de décharge sur toit  
B. Conduit rond 6" (15,2 cm)\*

### Décharge à travers le mur





A. Bouche de décharge murale  
B. Conduit rond 6" (15,2 cm)\*

\*La hotte de 48" (121,9 cm) utilise deux conduits ronds de 6" (15,2 cm) ou des raccords de transition ronds de 10" (25,4 cm); utiliser la pièce numéro 4396915.

### Calcul de la longueur effective du circuit d'évacuation

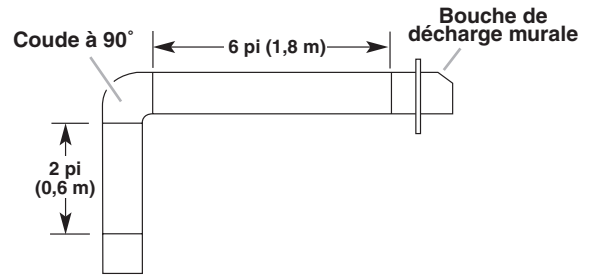
Pour calculer la longueur effective du circuit d'évacuation nécessaire, additionner les longueurs équivalentes (pieds/mètres) de tous les composants utilisés dans le système.

Composant	Longueur équivalente
Coude à 45°	2,5 pi (0,8 m) 
Coude à 90°	5 pi (1,5 m) 

Les longueurs équivalentes maximales sont :

Conduit rond de 6" (15,2 cm) - 35 pi (10,7 m)  
Conduit rond de 7" (17,8 cm) - 40 pi (12,2 m)  
Conduit rond de 8" (20,3 cm) - 50 pi (15,2 m)  
Conduits ronds de 9" (22,9 cm) et de 10" (25,4 cm) - 60 pi (18,3 m)

### Exemple de système de décharge



L'exemple suivant indique la longueur de conduit recommandée maximum.

1 coude à 90°	= 5 pi (1,5 m)
1 bouche de décharge murale	= 0 pi (0 m)
Section droite de 8 pi (2,4 m)	= 8 pi (2,4 m)
Longueur du système	= 13 pi (3,9 m)

### Spécifications électriques

Observer les dispositions de tous les codes et règlements en vigueur.

L'installation électrique doit satisfaire les exigences de la plus récente édition de la norme National Electrical Code, ANSI/NFPA 70, ou de la norme CSA C22.1-94, Code canadien de l'électricité, partie 1 et C22.2 N° 0-M91 (dernière édition) et de tous les codes et règlements en vigueur locaux.

Si les codes le permettent et si on utilise un conducteur distinct de liaison à la terre, il est recommandé qu'un électricien qualifié vérifie la qualité de la liaison à la terre.

Pour obtenir un exemplaire de la norme des codes ci-dessus, contacter :

National Fire Protection Association  
One Batterymarch Park  
Quincy, MA 02269  
CSA International  
8501 East Pleasant Valley Road  
Cleveland, OH 44131-5575

- L'appareil doit être alimenté par un circuit de 120 V, CA seulement, 60 Hz, 15 A, protégé par fusible.
  - Si le domicile est équipé d'un câblage en aluminium, suivre les instructions suivantes :
    1. Connecter une section de câble en cuivre massif aux conducteurs en queue de cochon.
    2. Connecter le câblage en aluminium à la section ajoutée de câblage en cuivre en utilisant des connecteurs et/ou des outils spécialement conçus et homologués UL pour fixer le cuivre à l'aluminium.
- Appliquer la procédure recommandée par le fabricant des connecteurs. La connexion aluminium/cuivre doit être conforme aux codes locaux et aux pratiques de câblage acceptées par l'industrie.
- Le calibre des conducteurs et les connexions doivent être compatibles avec la demande de courant de l'appareil spécifiée sur la plaque signalétique. La plaque signalétique de l'appareil est située derrière le filtre, sur la paroi arrière de la hotte.
  - Le calibre des conducteurs doit satisfaire les exigences de la plus récente édition de la norme National Electrical Code, ANSI/NFPA 70, ou de la norme CSA C22.1-94, Code canadien de l'électricité, partie 1 et C22.2 n° 0-M91 (dernière édition) et de tous les codes et règlements en vigueur.

# INSTRUCTIONS D'INSTALLATION

## Préparation de l'emplacement

- Il est recommandé d'installer le système d'évacuation avant de procéder à l'installation de la hotte.
  - Avant d'exécuter les découpages, vérifier la disponibilité d'un dégagement suffisant dans le plafond ou le mur pour le conduit d'évacuation.
  - Avant de sélectionner la hotte à installer, mesurer la hauteur libre sous plafond et la hauteur maximum disponible sous la hotte.
1. Déconnecter la source de courant électrique.
  2. Déterminer la méthode d'extraction à utiliser : décharge à travers le mur ou le toit.
  3. Sélectionner une surface plane pour l'assemblage de la hotte. Placer le matériau de protection sur cette surface.

### **AVERTISSEMENT**

#### Risque du poids excessif

Utiliser deux ou plus de personnes pour déplacer et installer la hotte de la cuisinière.

Le non-respect de cette instruction peut causer une blessure au dos ou d'autre blessure.

4. À l'aide de deux personnes ou plus, soulever la hotte et la poser sur la surface couverte.

### Installation avec dossier facultative

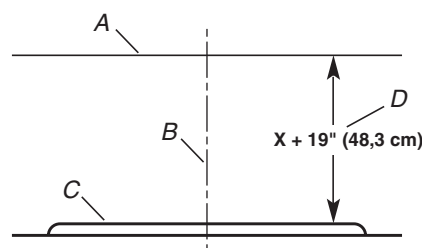
**REMARQUE :** Les instructions suivantes correspondent à un dossier sans tablette. Si l'on installe un dossier avec des tablettes pour les lampes chauffantes, suivre les instructions fournies avec ce produit-là. (Voir "Accessoires" à la section "Assistance ou Service" pour passer une commande.)

Le matériel de montage fourni avec l'ensemble comprend 4 chevilles d'ancrage mural en plastique et 4 vis de montage.

- La hauteur de la hotte est en fonction de la hauteur du dossier.
- REMARQUE :** La hauteur minimale de la hotte au-dessus de la table de cuisson est de 30" (76,2 cm). Le dossier peut être rallongé de 19<sup>23</sup>/<sub>32</sub>" (50,1 cm) à 39" (99,1 cm). Au fur et à mesure que la hauteur de l'installation de 30" (76,2 cm) augmente, la zone de fixation de la hotte diminue.
- Déterminer la hauteur de la hotte.
  - À l'aide d'au moins 2 personnes, placer le dossier sur le mur de façon à ce que le sommet du dossier se trouve à hauteur de la rive inférieure de la hotte. Marquer l'emplacement des 4 trous d'angle. Il est recommandé que le dossier soit fixé au mur au niveau des 4 angles. Cependant, le rebord inférieur peut être fixé entre le mur et le dossier, le plan de travail ou la base du placard sans avoir à utiliser les vis de coin inférieur.
  - Percer des trous de 5/16" (8 mm).
  - Enfoncer complètement les chevilles d'ancrage en plastique dans les trous.
  - Positionner les trous dans le dossier par-dessus les chevilles d'ancrage mural et fixer le dossier à l'aide des vis fournies.

### Installation des vis de montage de la hotte

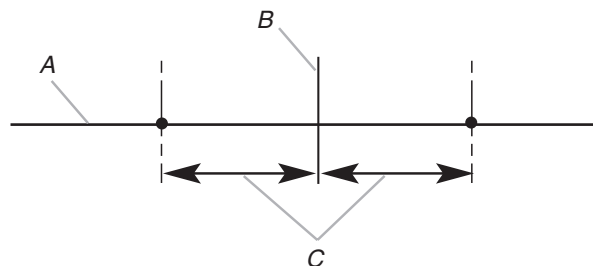
1. Déterminer l'emplacement de l'axe central où la hotte sera installée et tracer une ligne à cet endroit sur le mur.
2. En fonction de la hauteur sous plafond ou soffite, déterminer la distance "X" (30" [76,2 cm] min et 36" [91,4 cm] max. suggérée) nécessaire entre la surface de cuisson et le bas de la hotte. À cette distance, ajouter 19" (48,3 cm) et tracer une ligne horizontale (A) d'environ 24" (61 cm) de longueur centrée par rapport à l'axe central vertical (B) à cette distance.



- A. Ligne horizontale
- B. Axe central vertical
- C. Surface de cuisson
- D. Distance "X" (30" [76,2 cm] min., 36" [91,4 cm] max. suggérée)

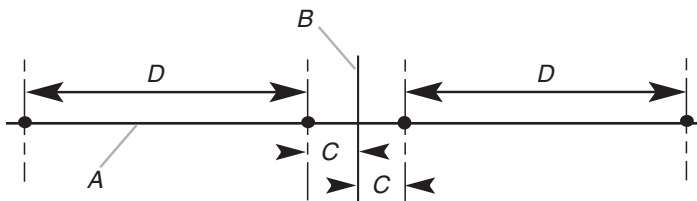
3. En suivant les illustrations de l'étape 4, marquer un point de chaque côté de la ligne horizontale en mesurant à partir de l'axe central vertical.
4. Percer des avant-trous de 3/32" (2,4 mm) pour une installation dans du bois. Les vis fournies pour le montage de cette hotte doivent être fixées dans du bois massif. Ne pas fixer uniquement dans du placo-plâtre.

### Pour modèles de 36" (91,4 cm) - 2 trous de montage



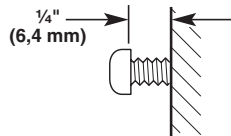
- A. Ligne horizontale
- B. Axe central vertical de la hotte
- C. 4 9/16" (11,6 cm)

## Pour modèles de 48" (121,9 cm) - 4 trous de montage



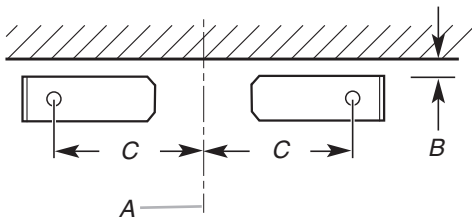
- A. Ligne horizontale
- B. Axe central vertical de la hotte
- C. 1 $\frac{5}{16}$ " (3,3 cm)
- D. 9 $\frac{1}{8}$ " (23,2 cm)

5. Installer les vis de montage à tête Phillips n° 10. Laisser un espace de  $\frac{1}{4}$ " (6,4 mm) entre le mur et l'arrière de la tête de la vis pour faire glisser la hotte en place.



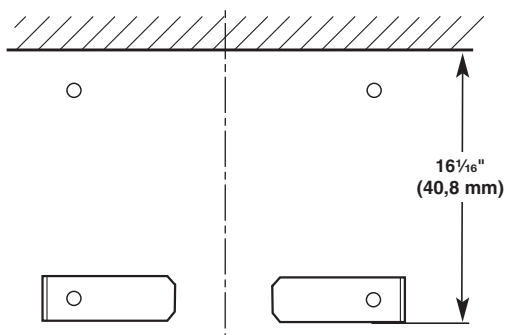
## Installation de la bride de support de la cheminée

1. Placer deux des brides de la cheminée contre le mur de façon à ce que les bords supérieurs se trouvent à  $\frac{1}{16}$ " (2 mm) du plafond ou soffite et régler l'aplomb. Marquer l'emplacement du centre des trous.



- A. Axe central vertical
- B.  $\frac{1}{16}$ " (1,6 mm)
- C. 11" (27,9 cm)

2. Placer les deux autres brides de la cheminée sur le mur de façon à ce que les bords inférieurs se trouvent à  $16\frac{1}{16}$ " (40,8 cm) du plafond ou soffite et régler l'aplomb. Marquer l'emplacement du centre des trous.



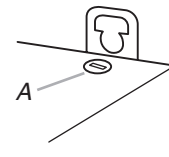
3. Percer des avant-trous.
  - En cas d'installation dans du bois, percer 4 avant-trous de  $\frac{3}{32}$ " (2,4 mm).
4. Fixer chaque bride sur le mur avec 1 vis de montage Phillips n° 10. Bien serrer les vis.

## Achever la préparation

1. Déterminer et marquer toutes les lignes de découpage nécessaires sur le mur pour le passage du système d'évacuation. Installer le système d'évacuation avant la hotte. Voir la section "Exigences concernant l'évacuation".
2. Déterminer l'emplacement de passage du cordon d'alimentation à travers le mur. S'assurer que l'emplacement soit couvert par la cheminée de la hotte.
3. Percer un trou de  $1\frac{1}{4}$ " (3,2 cm) à cet emplacement.
4. Tirer suffisamment de cordon d'alimentation à travers le mur pour permettre un raccordement facile jusqu'au boîtier de connexion.
5. Si la bouche de décharge murale ou sur toit ne comporte pas de clapet anti-reflux, installer le clapet anti-reflux sur les ouvertures de sortie au sommet de la hotte à l'aide des deux vis Phillips.
6. Si la hotte de 48" (121,9 cm) doit être connectée au circuit d'évacuation rond de 10" (25,4 cm), installer le raccord de transition maintenant.

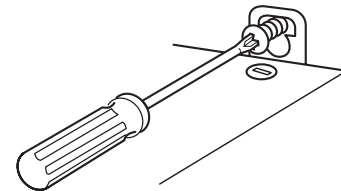
## Installation de la hotte

1. Avec un tournevis à lame plate, serrer les 2 vis de réglage de l'aplomb situées à proximité des brides de montage de la hotte.



A. Vis de réglage de l'aplomb

2. À l'aide de 2 personnes ou plus, soulever la hotte et placer les brides de montage sur les vis de montage. Bien serrer les vis.



3. Régler l'aplomb de la hotte. Ajuster les 2 vis de réglage de l'aplomb (voir étape 1) selon le besoin.

## Raccordement électrique

### **⚠ AVERTISSEMENT**



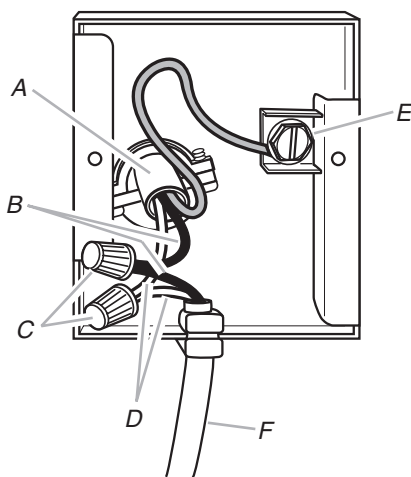
#### Risque de choc électrique

Déconnecter la source de courant électrique avant l'entretien.

Replacer pièces et panneaux avant de faire la remise en marche.

Le non-respect de ces instructions peut causer un décès ou un choc électrique.

1. Déconnecter la source de courant électrique.
2. Ôter les filtres.  
**REMARQUE :** Utiliser les 2 mains pour retirer les filtres; avec une main, tirer et faire tourner le bouton et avec l'autre main, maintenir le filtre pour l'empêcher de tomber.
  - Tirer le bouton vers l'avant de la hotte tout en faisant tourner le bouton dans le sens antihoraire pour libérer le levier de blocage.
  - Faire glisser le filtre vers le bas pour le retirer de la rainure de retenue avant.
3. Ôter le couvercle de la boîte de connexion.
4. Installer un serre-câble de 1/2" (homologation UL ou CSA) dans le trou au-dessus de la hotte.
5. Acheminer 3 conducteurs blanc, vert ou nu) dans la boîte de connexion. Utiliser un calfeutrant pour assurer l'étanchéité au niveau des ouvertures.



- A. Câble d'alimentation électrique du domicile
- B. Conducteurs noirs
- C. Connecteurs de fils (homologation UL)
- D. Conducteurs blancs
- E. Conducteur de liaison à la terre vert (ou nu) du câble d'alimentation électrique du domicile connecté à la vis verte de liaison à la terre.
- F. Câble d'alimentation de la hotte

6. Connecter ensemble les 3 conducteurs noirs (B) (2 conducteurs de la hotte et 1 conducteur du câble d'alimentation du domicile) avec des connecteurs de fils (homologation UL).
7. Connecter ensemble les 3 conducteurs blancs (D) (2 conducteurs de la hotte et 1 conducteur du câble d'alimentation du domicile) avec des connecteurs de fils (homologation UL).

### **⚠ AVERTISSEMENT**



#### Risque d'incendie

Relier le ventilateur à la terre.

Utiliser du fil en cuivre.

Brancher le fil relié à la terre à la vis verte reliée à la terre dans la boîte de la borne.

Le non-respect de ces instructions peut causer un décès, un incendie ou un choc électrique.

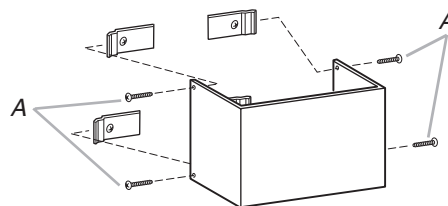
8. Connecter le conducteur de liaison à la terre (vert ou nu) du câble d'alimentation du domicile à la vis verte de liaison à la terre non utilisée (E) dans la boîte de connexion.
9. Serrer les vis du serre-câble.
10. Installer le couvercle de la boîte de connexion.
11. Inspecter chaque lampe; vérifier que chaque lampe est bien insérée dans sa douille.
12. Reconnecter la source de courant électrique.

## Installation du cache-cheminée

1. Installer un clapet sur la partie supérieure de l'ouverture du conduit d'évacuation. Vérifier que le clapet s'ouvre sans obstruction. Pour les modèles de 48" (121,9 cm), installer deux clapets anti-reflux.
2. Raccorder le système d'évacuation et sceller toutes les connexions avec des brides.

## Installation de la section supérieure du cache-cheminée

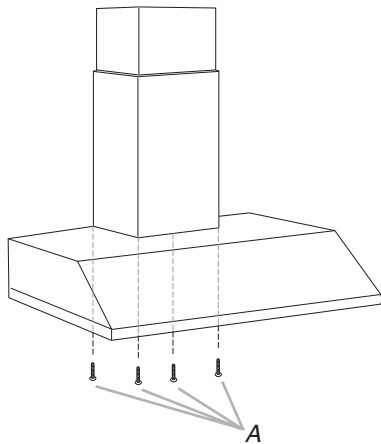
1. Écarter légèrement les côtés du cache-cheminée l'un de l'autre et les fixer derrière les brides de montage de la cheminée.
2. Fixer le cache-cheminée aux brides avec 4 vis de montage.
3. Bien serrer les vis.



A. 4 vis à tête plate

## Installation de la section inférieure du cache-cheminée

1. Écarter légèrement les côtés du cache-cheminée l'un de l'autre et les fixer derrière la section supérieure de la cheminée.
2. De l'intérieur de la hotte, utiliser 4 vis rondelle Phillips pour fixer la section inférieure du cache-cheminée à la hotte de cuisinière.
3. Bien serrer les vis.



A. 4 vis rondelle

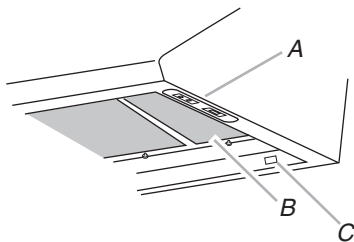
## Installation des filtres à graisse

**REMARQUE :** Utiliser les 2 mains pour installer le filtre : avec une main, tirer et faire tourner le bouton et avec l'autre main, maintenir le filtre en place pour l'empêcher de tomber.

1. Insérer le bord arrière du filtre dans la rainure arrière de l'ouverture d'installation du filtre.
2. Tirer sur le bouton et le tourner dans le sens antihoraire, placer le bord avant et relâcher le bouton.
3. Répéter ces opérations pour les autres filtres.

## Contrôle du fonctionnement

1. Mettre l'appareil sous tension pour vérifier le bon fonctionnement de la hotte.
2. Les commandes sont situées sous la hotte, du côté droit.



A. Commandes  
B. Filtres  
C. Commutateur de lampe chauffante

3. Pousser le commutateur d'éclairage à la position "1". La lampe devrait s'allumer.
4. Pousser le commutateur du ventilateur à la position "On". Le ventilateur devrait fonctionner.
5. Placer le sélecteur de vitesse du ventilateur à la position "1" pour la basse vitesse, à la position "2" pour la vitesse moyenne ou à la position "3" pour la haute vitesse.
6. Pour commander l'arrêt du ventilateur et l'extinction des lampes, placer les commutateurs à la position "Off".

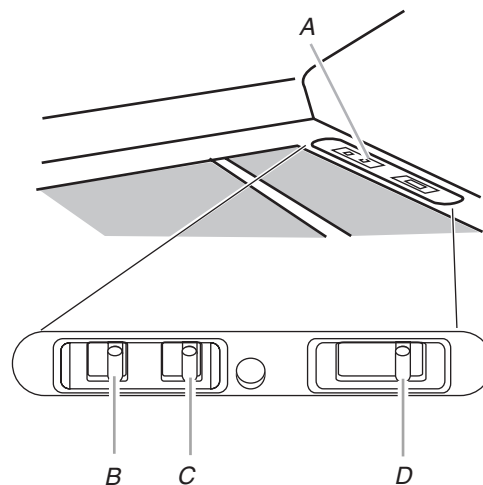
7. Si la hotte ne fonctionne pas, vérifier que le disjoncteur n'est pas ouvert ou qu'aucun fusible n'est grillé. Déconnecter la source de courant électrique et vérifier que le câblage est correct.

**REMARQUE :** Pour pouvoir tirer le plus grand parti de la nouvelle hotte de cuisinière, lire la section "Utilisation de la hotte de cuisinière".

## UTILISATION DE LA HOTTE

La hotte de cuisinière est conçue pour extraire fumée, vapeurs de cuisson et odeurs de la zone de la table de cuisson. Pour des résultats optimaux, mettre la hotte en marche avant d'entreprendre une cuisson, et la laisser fonctionner pendant plusieurs minutes après une cuisson afin d'évacuer toute odeur de cuisson et fumée de la cuisine.

Les commandes de la hotte sont situées sous celle-ci, du côté droit.



A. Commandes  
B. Commutateur d'éclairage  
C. Interrupteur du ventilateur  
D. Commutateur de vitesse du ventilateur

## Commandes de la hotte de cuisinière

### Commande de la lampe

1. Placer le commutateur d'éclairage à la position "1" pour placer la lumière de la hotte au réglage de veilleuse.
2. Placer le commutateur d'éclairage à la position "2" pour placer la lumière de la hotte au réglage de plein éclairage.
3. Placer le commutateur d'éclairage à la position "Off" (arrêt) pour ÉTEINDRE la lumière de la hotte.

### Fonctionnement du ventilateur

1. Placer l'interrupteur du ventilateur à la position "On" (marche) pour METTRE EN MARCHÉ le ventilateur. Le ventilateur commence à fonctionner à la vitesse réglée par le commutateur de vitesse du ventilateur.
2. Placer l'interrupteur du ventilateur à la position "Off" pour ÉTEINDRE le ventilateur.

## Mise en marche automatique du ventilateur

La hotte de cuisine est équipée d'un capteur qui met le ventilateur automatiquement en marche lorsqu'un niveau de chaleur excessif est détecté dans la zone de commande. Lorsque l'interrupteur du ventilateur est à la position "Off" (arrêt), le capteur change l'état du commutateur du ventilateur à la vitesse élevée si nécessaire. Lorsque le niveau de chaleur diminue, le ventilateur s'éteint.

Lorsque l'interrupteur du ventilateur est à la position "On", le capteur de chaleur est inactif et la hotte fonctionne normalement.

## Réglage du ventilateur

Le ventilateur comporte 3 commandes de vitesse. Placer le commutateur de vitesse du ventilateur à la position "1" pour la vitesse faible, à la position "2" pour la vitesse moyenne ou à la position "3" pour la vitesse élevée.

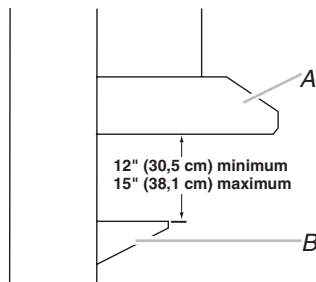
## Dispositif de protection thermique

La hotte est équipée d'un dispositif de protection thermique permettant d'éviter les conditions de surchauffe. Si la hotte s'éteint en cours d'utilisation, déplacer le curseur du ventilateur vers Off (arrêt) pour éteindre la hotte. Attendre environ 60 minutes puis déplacer le curseur vers On (marche) pour remettre la hotte en marche.

## Utilisation de la lampe chauffante

Les lampes chauffantes sont conçues pour maintenir les aliments au chaud avant de servir. La surface de la table de cuisson est trop éloignée de la lampe chauffante pour être utilisée comme tablette.

Pour de meilleurs résultats, installer une tablette métallique pour conserver les aliments plus près des lampes. La distance optimale entre la tablette et la hotte est comprise entre 12" (30,5 cm) et 15" (38,1 cm).



A. Hotte de cuisine  
B. Tablette métallique

Pour un rendement optimal, les aliments doivent être placés directement sous les lampes chauffantes, et non entre elles. L'utilisateur devra peut-être modifier la répartition des aliments pour répondre à ses besoins spécifiques.

1. Installer des ampoules pour lampes chauffantes (non fournies) dans les douilles de lampes chauffantes.

**REMARQUE :** Les ampoules pour lampes chauffantes doivent avoir une intensité nominale maximale de 250 watts chacune. Pour un meilleur rendement, on recommande des ampoules pour lampe à rayons infrarouges de 250 watts et de type R40. Le rendement varie selon les ampoules. Des ampoules transparentes ou de puissance inférieure réduisent le rendement.

## ⚠ AVERTISSEMENT

### Risque d'empoisonnement alimentaire

**Ne pas laisser des aliments reposer plus d'une heure avant ou après la cuisson.**

**Le non-respect de cette instruction peut causer un empoisonnement alimentaire ou une maladie.**

2. Pour allumer une lampe chauffante, déplacer le commutateur de la lampe désirée à la position "I". Pour éteindre la lampe chauffante, déplacer le commutateur à la position "O". Répéter pour l'autre lampe chauffante.

**REMARQUE :** La commutateur de gauche correspond à la lampe chauffante de gauche et le commutateur de droite à la lampe chauffante de droite.

# ENTRETIEN DE LA HOTTE DE CUISINIÈRE

## Lampes de la hotte de cuisinière

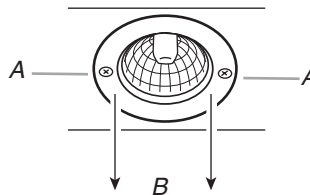
### Remplacement d'une lampe à halogène

Cette hotte utilise des lampes à halogène de 12 volts, 20 watts. Éteindre la hotte et laisser les lampes refroidir.

Pour éviter d'endommager ou de réduire la durée de vie de la nouvelle ampoule, ne pas toucher l'ampoule avec les doigts nus. Remplacer l'ampoule en utilisant un chiffon pour la manipulation ou en portant des gants en coton.

#### Pour le remplacement :

1. Déconnecter la source de courant électrique.
2. Ôter les 2 vis de la garniture métallique circulaire de la lampe.
3. Tirer vers le bas l'ensemble garniture/lampe suffisamment pour qu'il soit possible de dégager la lampe des agrafes de douille.



A. Retirer 2 vis.

B. Tirer vers le bas l'ensemble garniture/lampe.

4. Insérer la lampe neuve dans les agrafes de la douille; repousser l'ensemble garniture/lampe vers le haut dans hotte.
5. Réinstaller les vis.
6. Reconnecter la source de courant électrique.



### Remplacement d'une lampe chauffante

Cette hotte de cuisinière utilise des lampes à rayons infrarouges de 250 watts maximum.

Éteindre les lampes chauffante et les laisser refroidir.

### Changement d'une ampoule :

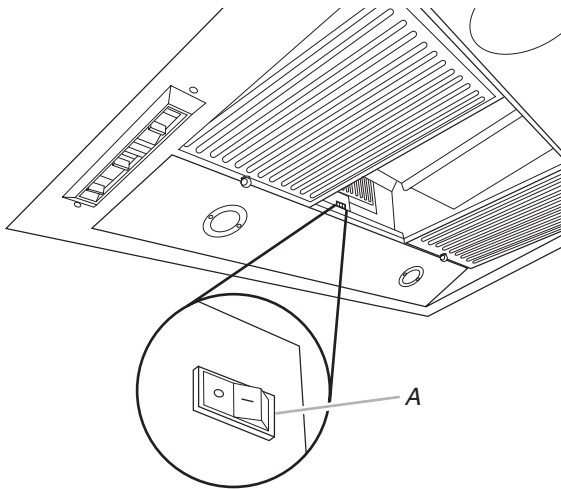
1. Déconnecter la source de courant électrique.
2. Retirer l'ampoule de la lampe chauffante de sa douille.
3. Remplacer l'ampoule de la lampe chauffante par une ampoule de même type et la serrer dans la douille.
4. Répéter les étapes 2 et 3 avec l'ampoule de l'autre lampe chauffante si nécessaire.
5. Reconnecter la source de courant électrique.

## Nettoyage

**REMARQUE :** Le module de commande de la hotte de cuisinière est doté d'un capteur qui place automatiquement le ventilateur à une vitesse élevée lorsqu'une chaleur excessive est détectée dans la zone du module de commande et que le commutateur du ventilateur est à la position "Off" (arrêt).

Avant le nettoyage ou l'entretien de la hotte, placer le commutateur de ventilateur auto-on (ventilateur automatique activé) à la position "O" (capteur désactivé). Le commutateur se trouve derrière les filtres. Voir "Filtres métalliques" dans cette section pour retirer les filtres.

Une fois le nettoyage ou l'entretien terminé, placer le commutateur de ventilateur auto-on (ventilateur automatique activé) à la position "I" (capteur activé).



A. Commutateur de ventilateur auto-on (illustré à la position Off [arrêt])

### Surfaces externes :

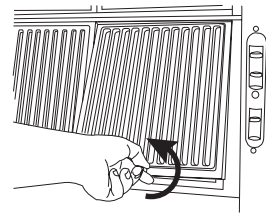
Pour éviter d'endommager la surface externe, ne pas utiliser de tampon de laine d'acier ou de tampon à récurer savonneux. Frotter dans la direction du grain pour éviter d'égratigner la surface.

Toujours essuyer pour éviter de laisser des traces d'eau.

- Nettoyant et poli pour acier inoxydable.
- Détergent liquide doux et eau.
- Frotter avec un chiffon doux et humide ou une éponge non abrasive, puis rincer avec de l'eau propre et essuyer pour sécher.

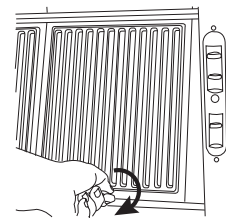
### Filtres métalliques :

Pour une installation avec décharge à l'extérieur, employer les 2 mains pour enlever les filtres. Tourner le bouton vers la gauche (dans le sens antihoraire) pour libérer le filtre. Répéter pour l'autre filtre.

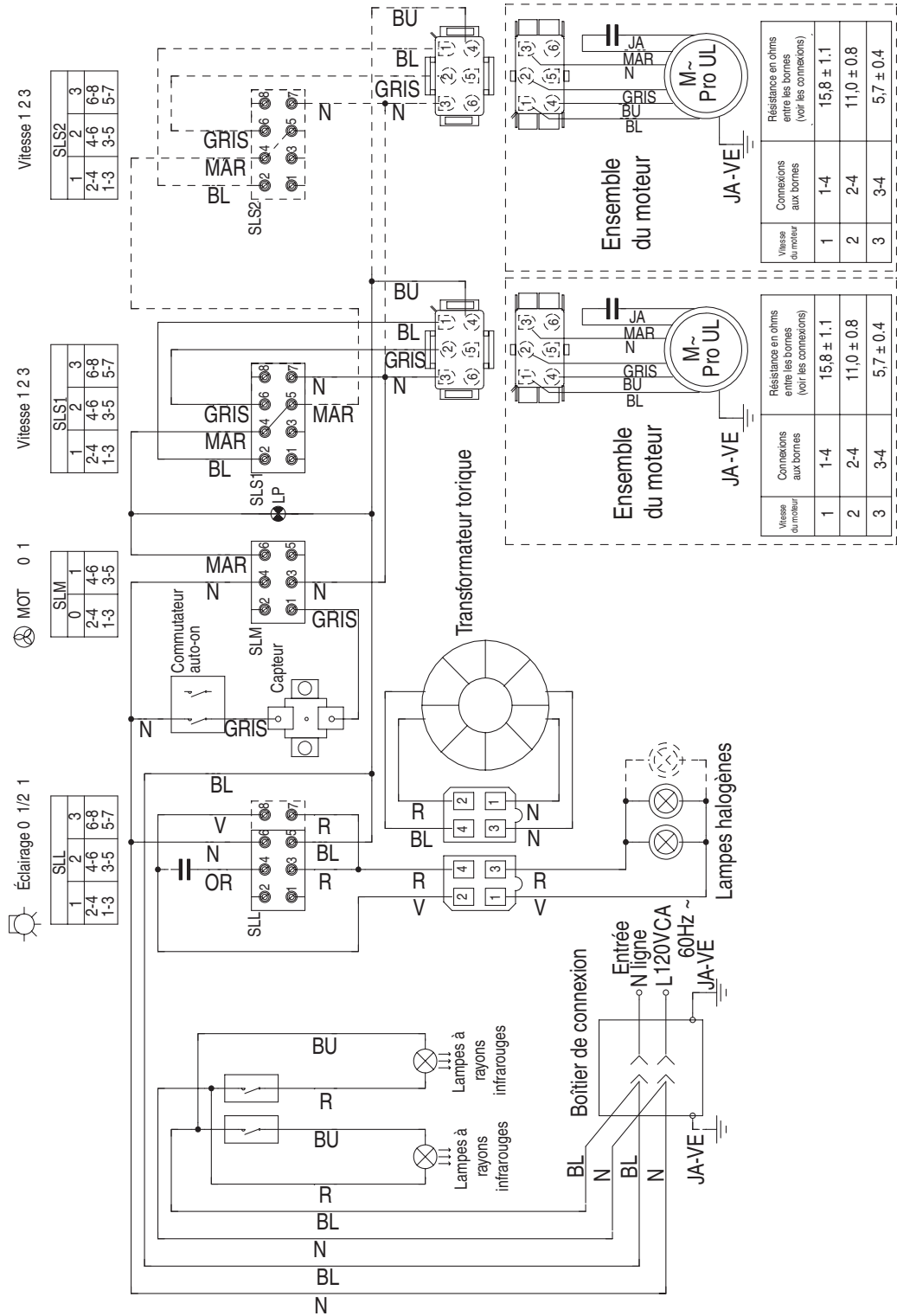


Laver les filtres métalliques selon le besoin au lave-vaisselle ou avec une solution de détergent chaude.

Réinstaller le filtre en plaçant le bord arrière dans la rainure à l'arrière de la hotte. Pousser le filtre pour la mise en place; faire tourner le bouton vers la droite (dans le sens horaire) pour la fixation sur la hotte. Répéter pour l'autre filtre.



# SCHÉMA DE CÂBLAGE



---

# ASSISTANCE OU SERVICE

Lors d'un appel pour assistance ou service, veuillez connaître la date d'achat, le numéro de modèle et le numéro de série au complet de l'appareil. Ces renseignements nous aideront à mieux répondre à votre demande.

## Si vous avez besoin de pièces de rechange

Si vous avez besoin de commander des pièces de rechange, nous vous recommandons d'employer uniquement des pièces spécifiées par l'usine. Les pièces spécifiées par l'usine fonctionneront bien parce qu'elles sont fabriquées avec la même précision utilisée dans la fabrication de chaque nouvel appareil. Pour localiser des pièces spécifiées par l'usine dans votre région, nous appeler ou téléphoner au centre de service désigné le plus proche.

---

## Au Canada

Veuillez appeler sans frais le Centre pour l'expérience de la clientèle de KitchenAid Canada au : **1-800-807-6777**.

### Nos consultants vous renseigneront sur les sujets suivants :

- Caractéristiques et spécifications sur toute notre gamme d'appareils électroménagers.
- Consignes d'utilisation et d'entretien.
- Vente d'accessoires et de pièces de rechange.

- Références aux marchands locaux, aux distributeurs de pièces de rechange et aux compagnies de service. Les techniciens de service désignés par KitchenAid Canada sont formés pour remplir la garantie des produits et fournir un service après la garantie, partout au Canada.

## Pour plus d'assistance

Si vous avez besoin de plus d'assistance, vous pouvez soumettre par écrit toute question ou préoccupation à KitchenAid Canada à l'adresse suivante :

Centre pour l'expérience de la clientèle  
KitchenAid Canada  
1901 Minnesota Court  
Mississauga, Ontario L5N 3A7

Veuillez inclure dans votre correspondance un numéro de téléphone où l'on peut vous joindre dans la journée.

---

## Accessoires

### Ensemble d'extension de cheminée

Commander la pièce n° W10197714 Acier inoxydable

### Ensemble de dossier (pour utilisation sans lampe chauffante)

Commander la pièce numéro 8284756 pour modèle de 36" (91,4 cm)

Commander la pièce numéro 8284755 pour modèle de 48" (121,9 cm)

### Ensemble de dossier (pour utilisation avec lampe chauffante)

Commander la pièce numéro W10225949 pour modèle de 36" (91,4 cm)

Commander la pièce numéro W10225948 pour modèle de 48" (121,9 cm)

# GARANTIE DU SYSTÈME DE VENTILATION KITCHENAID®

## GARANTIE LIMITÉE

Pendant un an à compter de la date d'achat, lorsque ce gros appareil ménager est utilisé et entretenu conformément aux instructions jointes à ou fournies avec le produit, la marque KitchenAid de Whirlpool Corporation ou Whirlpool Canada LP (ci-après désignées "KitchenAid") paiera pour les pièces spécifiées par l'usine et la main-d'œuvre pour corriger les vices de matériaux ou de fabrication. Le service doit être fourni par une compagnie de service désignée par KitchenAid. Cette garantie limitée est valide uniquement aux États-Unis ou au Canada et s'applique exclusivement lorsque l'appareil est utilisé dans le pays où il a été acheté. À l'extérieur du Canada et des 50 États des États-Unis, cette garantie limitée ne s'applique pas. Une preuve de la date d'achat original est exigée pour obtenir un service dans le cadre de la présente garantie limitée.

## ARTICLES EXCLUS DE LA GARANTIE

La présente garantie limitée ne couvre pas :

1. Les visites de service pour rectifier l'installation du gros appareil ménager, montrer à l'utilisateur comment utiliser l'appareil, remplacer ou réparer des fusibles ou rectifier le câblage ou la plomberie du domicile.
  2. Les visites de service pour réparer ou remplacer les ampoules électriques de l'appareil, les filtres à air ou les filtres à eau. Les pièces consommables ne sont pas couvertes par la garantie.
  3. Les réparations lorsque le gros appareil ménager est utilisé à des fins autres que l'usage unifamilial normal ou lorsque les instructions d'installation et/ou les instructions de l'opérateur ou de l'utilisateur fournies ne sont pas respectées.
  4. Les dommages imputables à : accident, modification, usage impropre ou abusif, incendie, inondation, actes de Dieu, installation fautive ou installation non conforme aux codes d'électricité ou de plomberie, ou l'utilisation de pièces consommables ou de produits nettoyants non approuvés par KitchenAid.
  5. Les défauts apparents, notamment les éraflures, les bosses, fissures ou tout autre dommage au fini du gros appareil ménager, à moins que ces dommages soient dus à des vices de matériaux ou de fabrication et soient signalés à KitchenAid dans les 30 jours suivant la date d'achat.
  6. Les coûts associés au transport du gros appareil ménager du domicile pour réparation. Ce gros appareil ménager est conçu pour être réparé à domicile et seul le service à domicile est couvert par la présente garantie.
  7. Les réparations aux pièces ou systèmes résultant d'une modification non autorisée faite à l'appareil.
  8. Les frais de transport pour le service d'un produit si votre gros appareil est situé dans une région éloignée où un service d'entretien KitchenAid autorisé n'est pas disponible.
  9. La dépose et la réinstallation de votre gros appareil si celui-ci est installé dans un endroit inaccessible ou n'est pas installé conformément aux instructions d'installation fournies.
  10. Les gros appareils ménagers dont les numéros de série et de modèle originaux ont été enlevés, modifiés ou qui ne peuvent pas être facilement identifiés. La présente garantie est nulle si le numéro de série d'usine a été modifié ou enlevé du gros appareil ménager.
- Le coût d'une réparation ou d'un remplacement dans le cadre de ces circonstances exclues est à la charge du client.

## CLAUSE D'EXONÉRATION DE RESPONSABILITÉ AU TITRE DES GARANTIES IMPLICITES; LIMITATION DES RECOURS

LE SEUL ET EXCLUSIF RECOURS DU CLIENT DANS LE CADRE DE LA PRÉSENTE GARANTIE LIMITÉE CONSISTE EN LA RÉPARATION PRÉVUE CI-DESSUS. LES GARANTIES IMPLICITES, Y COMPRIS LES GARANTIES APPLICABLES DE QUALITÉ MARCHANDE ET D'APTITUDE À UN USAGE PARTICULIER, SONT LIMITÉES À UN AN OU À LA PLUS COURTE PÉRIODE AUTORISÉE PAR LA LOI. KITCHENAID N'ASSUME AUCUNE RESPONSABILITÉ POUR LES DOMMAGES FORTUITS OU INDIRECTS. CERTAINES JURIDICTIONS NE PERMETTENT PAS L'EXCLUSION OU LA LIMITATION DES DOMMAGES FORTUITS OU INDIRECTS, OU LES LIMITATIONS DE LA DURÉE DES GARANTIES IMPLICITES DE QUALITÉ MARCHANDE OU D'APTITUDE À UN USAGE PARTICULIER, DE SORTES QUE CES EXCLUSIONS OU LIMITATIONS PEUVENT NE PAS S'APPLIQUER DANS VOTRE CAS. CETTE GARANTIE VOUS CONFÈRE DES DROITS JURIDIQUES SPÉCIFIQUES ET VOUS POUVEZ ÉGALEMENT JOUIR D'AUTRES DROITS QUI PEUVENT VARIER D'UNE JURIDICTION À UNE AUTRE.

Si vous résidez à l'extérieur du Canada et des 50 États des États-Unis, contactez votre marchand KitchenAid autorisé pour déterminer si une autre garantie s'applique.

Si vous avez besoin de service, voir d'abord la section "Dépannage" du Guide d'utilisation et d'entretien. Après avoir vérifié la section "Dépannage", de l'aide supplémentaire peut être trouvée en vérifiant la section "Assistance ou service" ou en appelant KitchenAid. Aux É.-U., composer le **1-800-422-1230**. Au Canada, composer le **1-800-807-6777**. 2/09

**Conservez ce manuel et votre reçu de vente ensemble pour référence ultérieure. Pour le service sous garantie, vous devez présenter un document prouvant la date d'achat ou d'installation.**

Inscrivez les renseignements suivants au sujet de votre gros appareil ménager pour mieux vous aider à obtenir assistance ou service en cas de besoin. Vous devrez connaître le numéro de modèle et le numéro de série au complet. Vous trouverez ces renseignements sur la plaque signalétique située sur le produit.

Nom du marchand \_\_\_\_\_

Adresse \_\_\_\_\_

Numéro de téléphone \_\_\_\_\_

Numéro de modèle \_\_\_\_\_

Numéro de série \_\_\_\_\_

Date d'achat \_\_\_\_\_

**W10233970D**  
**SP PN W10233973B**

© 2009  
All rights reserved.  
Tous droits réservés.

® Registered Trademark/TM Trademark of KitchenAid, U.S.A., KitchenAid Canada licensee in Canada  
© Marque déposée/TM Marque de commerce de KitchenAid, U.S.A., Emploi sous licence par KitchenAid Canada au Canada

4/09  
Printed in Italy  
Imprimé en Italie